



frameless  
*direct*  
architectural glass and hardware

# GLASS POOL FENCE SYSTEM

THIS CATALOGUE INCLUDES  
GLASS PANELS  
MINI POSTS  
SPIGOTS  
HINGES  
LATCHES  
TOOLS  
EXAMPLES  
& MORE

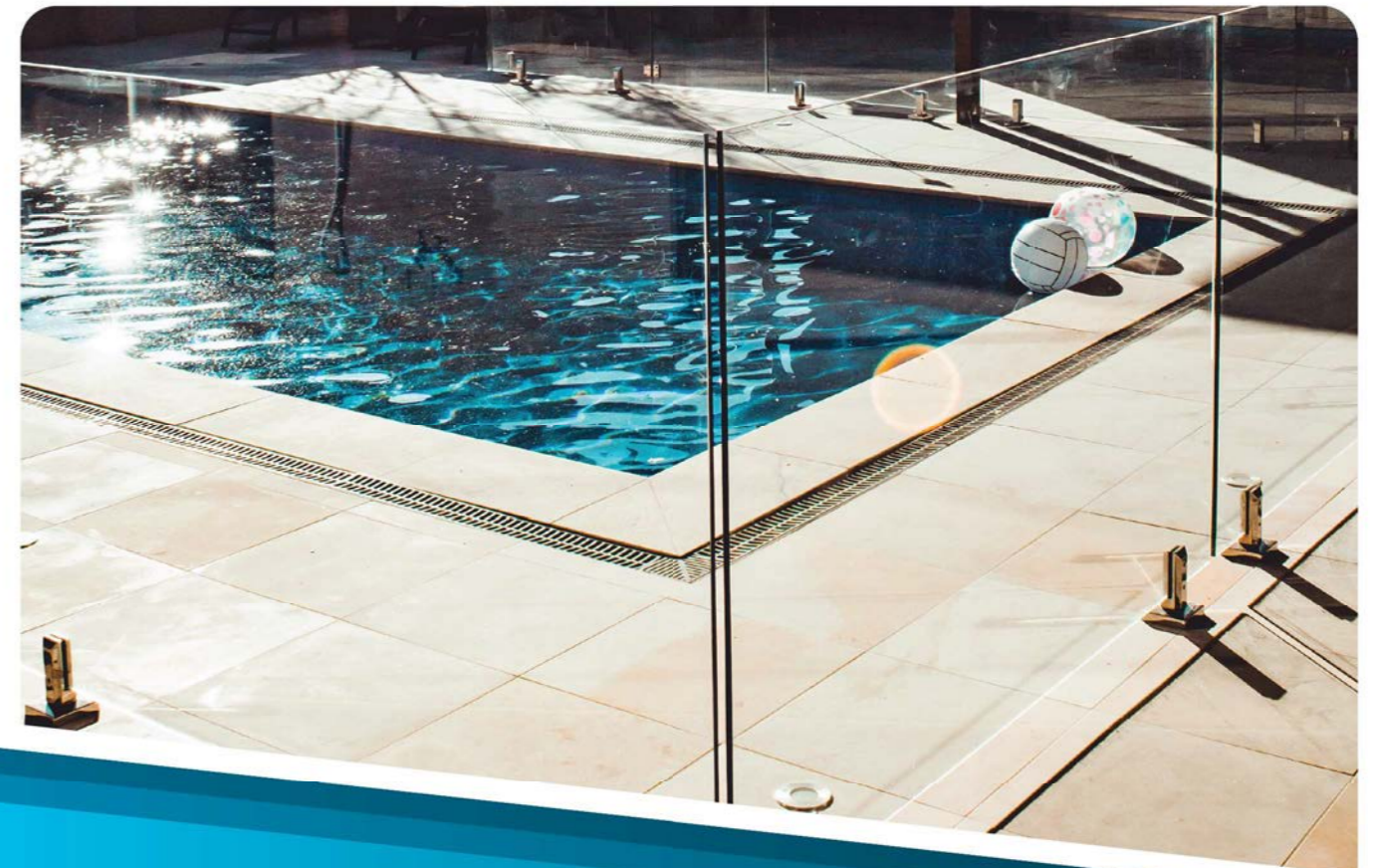
## Table Of Contents

<b>Glass Panels</b>	<b>2</b>
Standard Panels	3
Spigot Placement Guide	4
Metro Hinge & Gate Panels	5
Lazaris/Polaris Hinge & Gate Panels	7
Floor Spring Hinge & Gate Panels	9
Elevation Panels	11
Channel Series Layout	12
1380 Series Standard Panels	13
1380 Metro Hinge Panels	14
1380 Floor Spring Panels	15
1380 Lazaris/Polaris Hinge Panels	16
In-ground Series Layouts	17
In-ground Assembly Suggestions	18
<b>Spigots &amp; Mini Posts</b>	<b>19</b>
Fully Adjustable Range (Encore Series)	21
MPS Series	23
Milan Series	24
<b>Hardware</b>	<b>27</b>
Metro Range Layout	29
Metro Range Hardware	30
Polaris Range Layout	31
Polaris Range Hardware	32
Lazaris Range Layout	33
Lazaris Range Hardware	34
Metro Gate Corner Latch Layout	35
Friction Latches	37
Metro Hinges	40
Polaris Hinges	43
Lazaris Hinges	45
Glass Clamps	47
Tools & Accessories	48
<b>Contact Page</b>	<b>50</b>

## Glass Panels

***Our extensive glass range will ensure the perfect fit for any pool***

Our range includes 1200mm and 1380mm high panels, coupled with an array of different hinge cuts and elevation panels in order to cater for any kind of pool fence configuration. All our glass panels are A-grade toughened and quality tested and comply to Australian standards AS2088 to ensure your satisfaction.

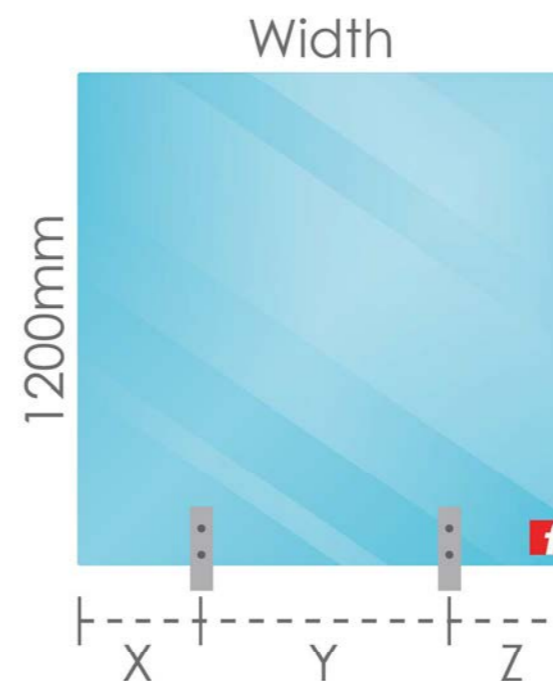


# 1200 Series Standard Glass Panels

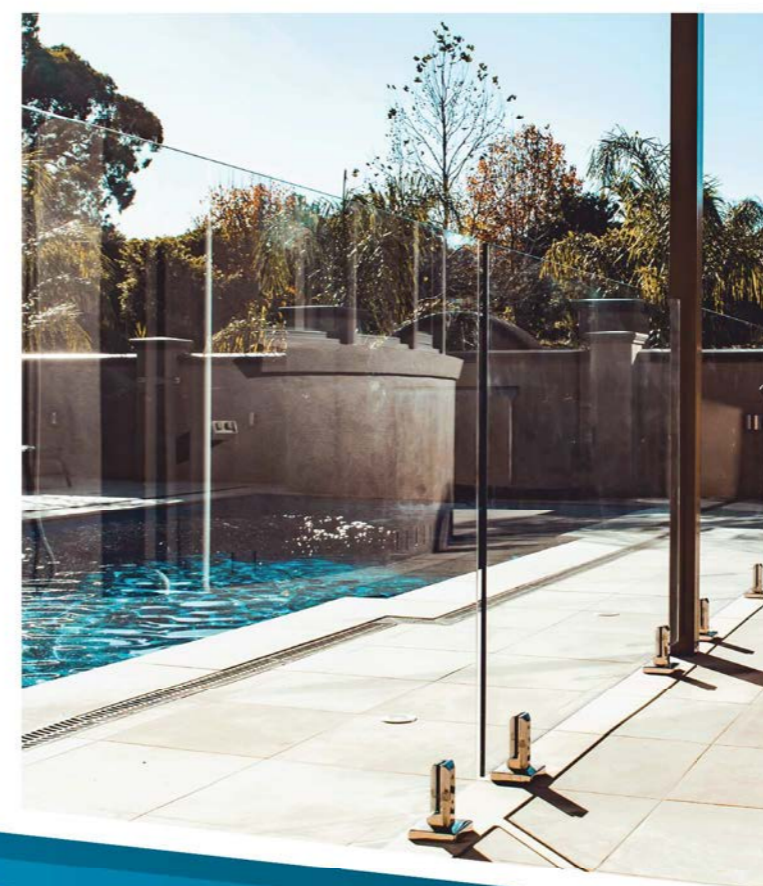
Product ID	Height (mm)	Width (mm)	Square Meter	Weight (Kg)
PGS 1200/200	1200	200	0.24	7.2
PGS 1200/250	1200	250	0.3	9
PGS 1200/300	1200	300	0.36	10.8
PGS 1200/350	1200	350	0.42	12.6
PGS 1200/400	1200	400	0.48	14.4
PGS 1200/450	1200	450	0.54	16.2
PGS 1200/500	1200	500	0.6	18
PGS 1200/550	1200	550	0.66	19.8
PGS 1200/600	1200	600	0.72	21.6
PGS 1200/650	1200	650	0.78	23.4
PGS 1200/700	1200	700	0.84	25.2
PGS 1200/750	1200	750	0.9	27
PGS 1200/800	1200	800	0.96	28.8
PGS 1200/850	1200	850	1.02	30.6
PGS 1200/900	1200	900	1.08	32.4
PGS 1200/950	1200	950	1.14	34.2
PGS 1200/1000	1200	1000	1.2	36
PGS 1200/1050	1200	1050	1.26	37.8
PGS 1200/1100	1200	1100	1.32	39.6
PGS 1200/1150	1200	1150	1.38	41.4
PGS 1200/1200	1200	1200	1.44	43.2
PGS 1200/1250	1200	1250	1.5	45
PGS 1200/1300	1200	1300	1.56	46.8
PGS 1200/1350	1200	1350	1.62	48.6
PGS 1200/1400	1200	1400	1.68	50.4
PGS 1200/1450	1200	1450	1.74	52.2
PGS 1200/1500	1200	1500	1.8	54
PGS 1200/1550	1200	1550	1.86	55.8
PGS 1200/1600	1200	1600	1.92	57.6
PGS 1200/1650	1200	1650	1.98	59.4
PGS 1200/1700	1200	1700	2.04	61.2
PGS 1200/1750	1200	1750	2.1	63
PGS 1200/1800	1200	1800	2.16	64.8
PGS 1200/1850	1200	1850	2.22	66.6
PGS 1200/1900	1200	1900	2.28	68.4
PGS 1200/1950	1200	1950	2.34	70.2
PGS 1200/2000	1200	2000	2.4	72



# Spigot Placement Guide



Width (mm)	X (mm)	Y (mm)	Z (mm)
200	50	100	50
250	50	150	50
300	75	150	75
350	100	150	100
400	100	200	100
450	100	250	100
500	100	300	100
550	100	350	100
600	100	400	100
650	100	450	100
700	100	500	100
750	150	450	150
800	150	500	150
850	150	550	150
900	150	600	150
950	150	650	150
1000	150	700	150
1050	150	750	150
1100	200	700	200
1150	200	750	200
1200	200	800	200
1250	200	850	200
1300	200	900	200
1350	200	950	200
1400	250	900	250
1450	250	950	250
1500	250	1000	250
1550	250	1050	250
1600	250	1100	250
1650	250	1150	250
1700	250	1200	250
1750	250	1250	250
1800	300	1200	300
1850	300	1250	300
1900	300	1300	300
1950	300	1350	300
2000	300	1400	300

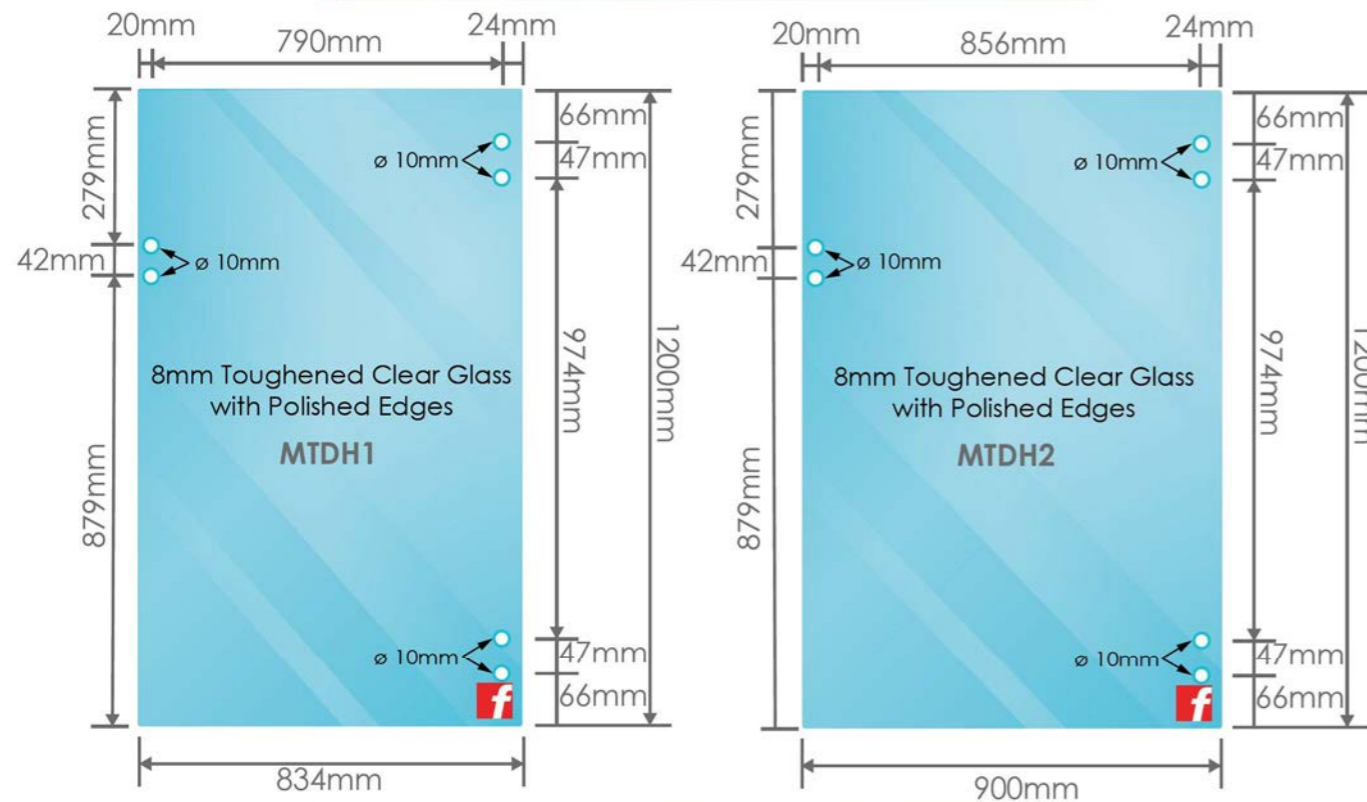


# Metro Hinge Gate Panels

8mm Thick Toughened Clear Glass

Suits MTH Series Hinges & FL-G Latches

Polished Edges & 2mm Radius Corners

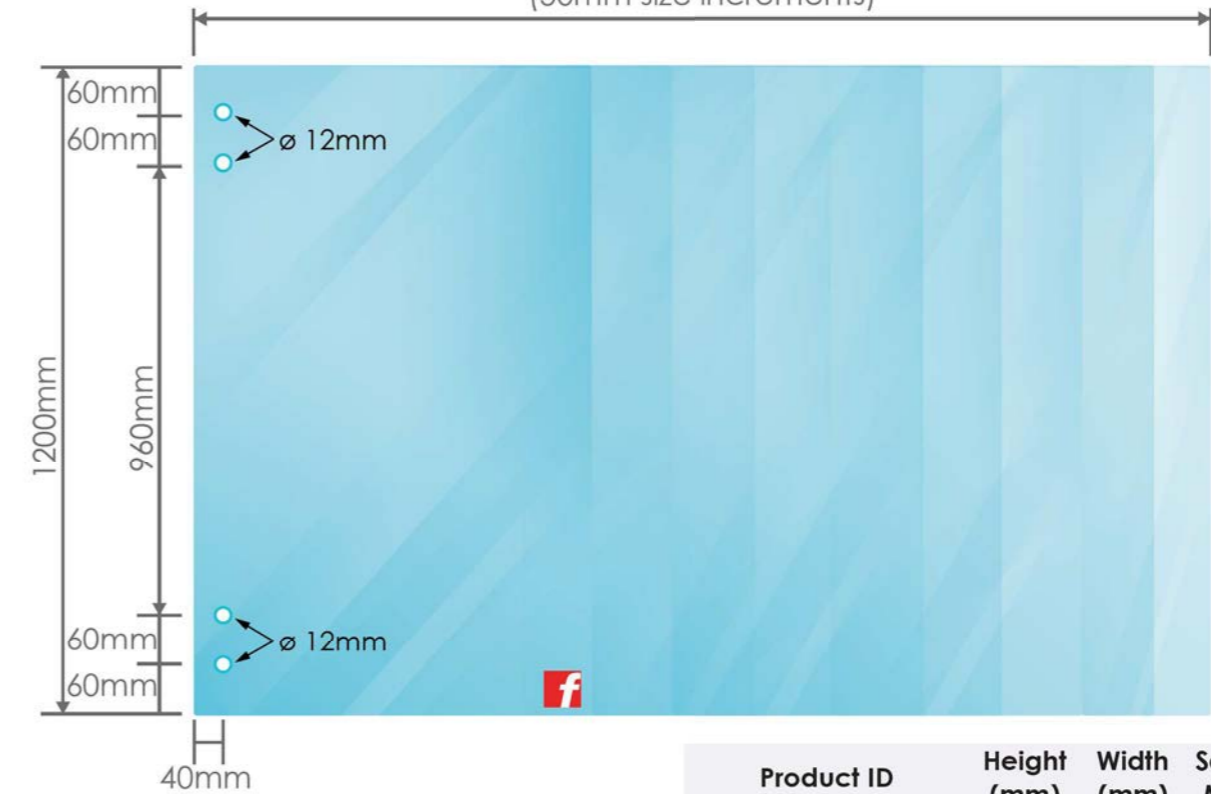


Product ID	Height (mm)	Width (mm)	Square Meter	Weight (Kg)
MTHD1	1200	834	1.0008	20.85
MTHD2	1200	900	1.08	22.46



# Metro Hinge Glass Panels

800mm to 1900mm  
(50mm size increments)



Polished Edges & 2mm Radius Corners

12mm Thick Toughened Clear Glass

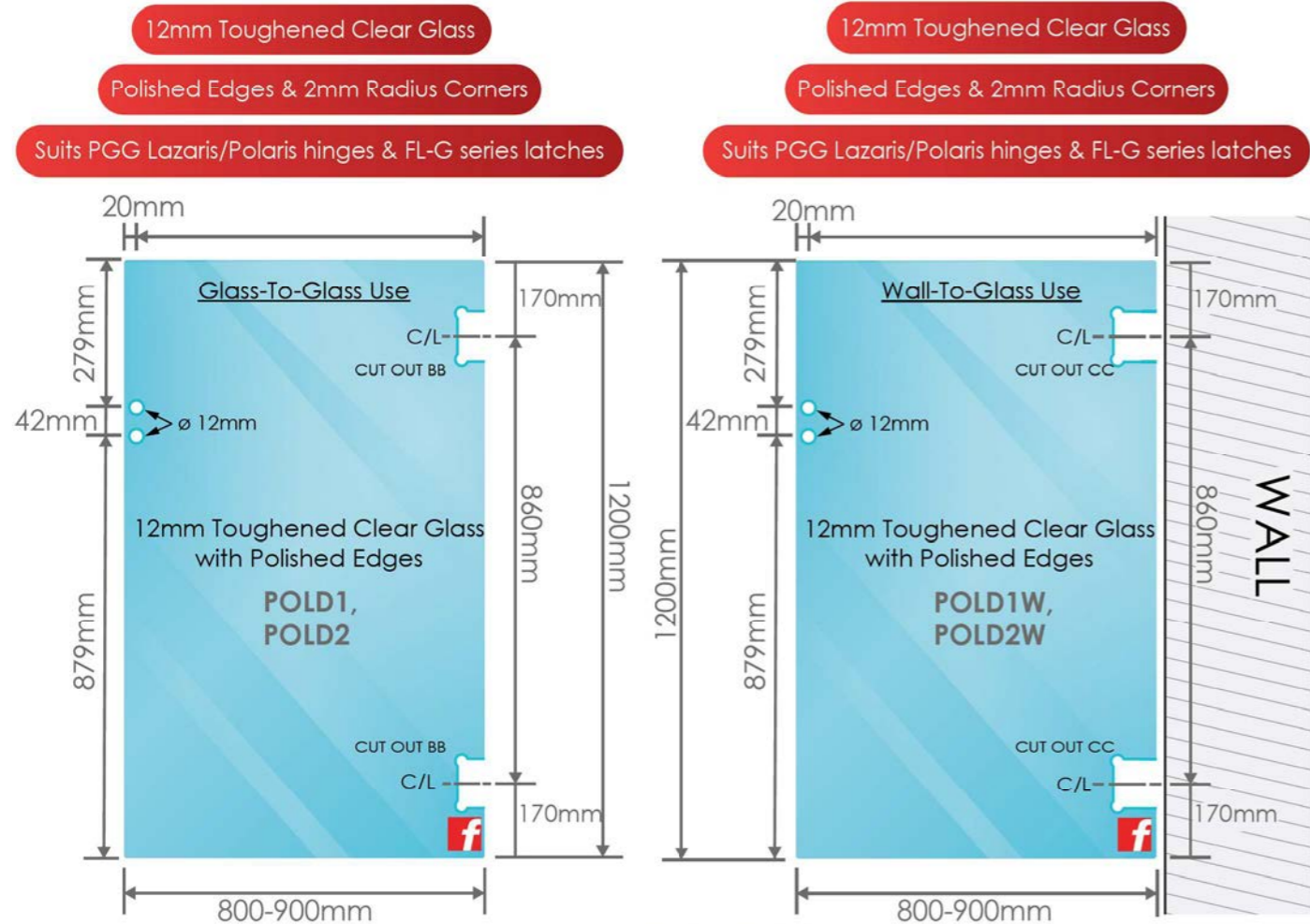
Width from 800mm to 1900mm

Available in 50mm Increments

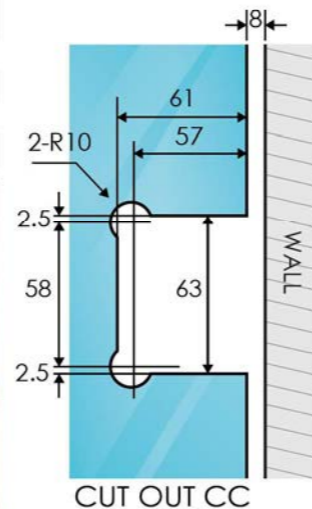
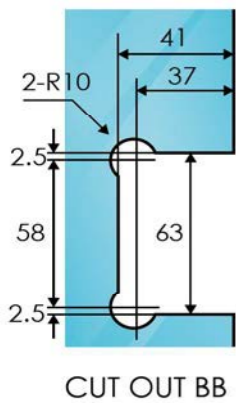
Product ID	Height (mm)	Width (mm)	Square Meter	Weight (Kg)
PGMTH 1200/800	1200	800	0.96	28.8
PGMTH 1200/850	1200	850	1.02	30.6
PGMTH 1200/900	1200	900	1.08	32.4
PGMTH 1200/950	1200	950	1.14	34.2
PGMTH 1200/1000	1200	1000	1.2	36
PGMTH 1200/1050	1200	1050	1.26	37.8
PGMTH 1200/1100	1200	1100	1.32	39.6
PGMTH 1200/1150	1200	1150	1.38	41.4
PGMTH 1200/1200	1200	1200	1.44	43.2
PGMTH 1200/1250	1200	1250	1.5	45
PGMTH 1200/1300	1200	1300	1.56	46.8
PGMTH 1200/1350	1200	1350	1.62	48.6
PGMTH 1200/1400	1200	1400	1.68	50.4
PGMTH 1200/1450	1200	1450	1.74	52.2
PGMTH 1200/1500	1200	1500	1.8	54
PGMTH 1200/1550	1200	1550	1.86	55.8
PGMTH 1200/1600	1200	1600	1.92	57.6
PGMTH 1200/1650	1200	1650	1.98	59.4
PGMTH 1200/1700	1200	1700	2.04	61.2
PGMTH 1200/1750	1200	1750	2.1	63
PGMTH 1200/1800	1200	1800	2.16	64.8
PGMTH 1200/1850	1200	1850	2.22	66.6
PGMTH 1200/1900	1200	1900	2.28	68.4



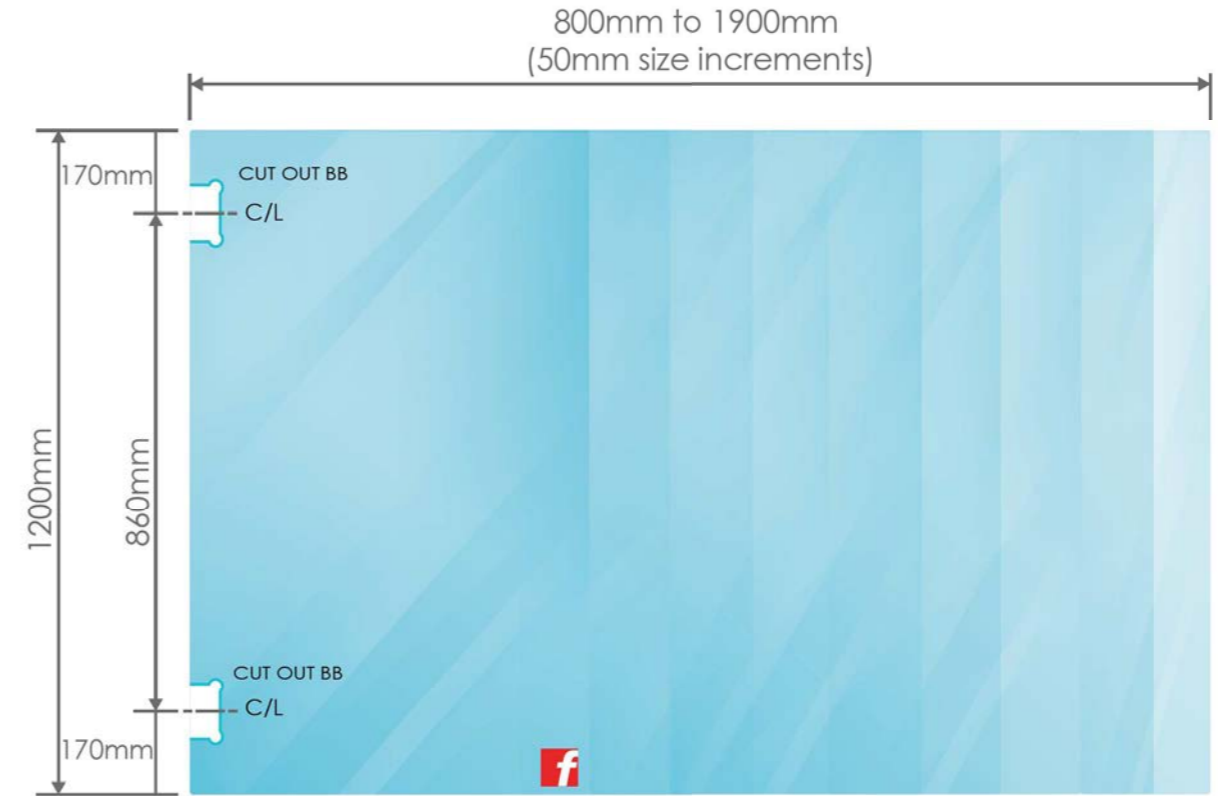
# Lazaris & Polaris Hinge Gate Panels



Use	Product ID	Height (mm)	Width (mm)	Square Meter	Weight (Kg)
Glass-To-Glass	POLD1	1200	900	1.08	32.4
Glass-To-Glass	POLD2	1200	800	0.96	28.8
Glass-To-Wall	POLD1W	1200	900	1.08	32.4
Glass-To-Wall	POLD2W	1200	800	0.96	28.8



# Lazaris & Polaris Hinge Glass Panels

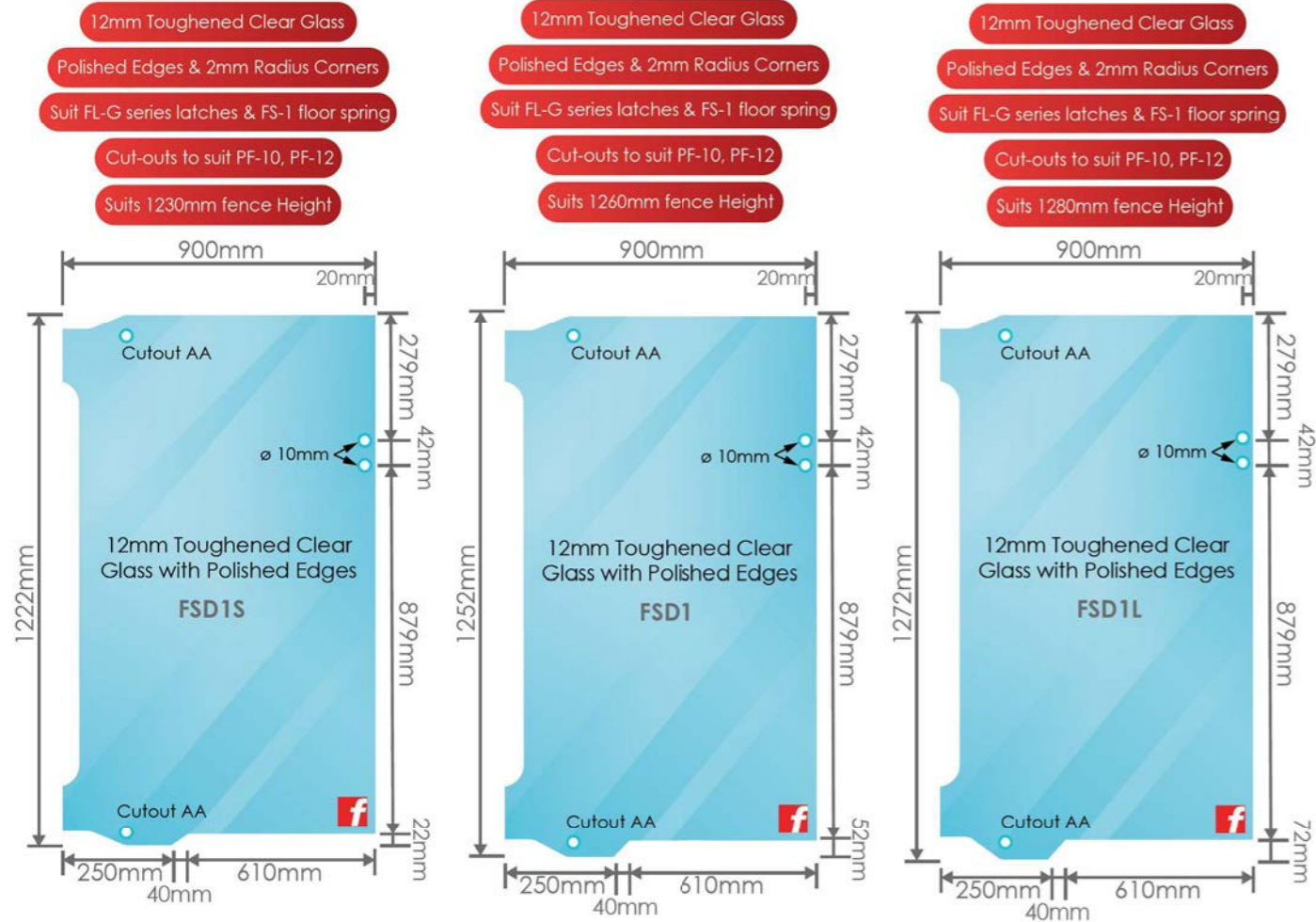


- Polished Edges & 2mm Radius Corners
- 12mm Thick Toughened Clear Glass
- Width from 800mm to 1900mm
- Available in 50mm Increments

Product ID	Height (mm)	Width (mm)	Square Meter	Weight (Kg)
PGPOL 1200/800	1200	800	0.96	28.8
PGPOL 1200/850	1200	850	1.02	30.6
PGPOL 1200/900	1200	900	1.08	32.4
PGPOL 1200/950	1200	950	1.14	34.2
PGPOL 1200/1000	1200	1000	1.2	36
PGPOL 1200/1050	1200	1050	1.26	37.8
PGPOL 1200/1100	1200	1100	1.32	39.6
PGPOL 1200/1150	1200	1150	1.38	41.4
PGPOL 1200/1200	1200	1200	1.44	43.2
PGPOL 1200/1250	1200	1250	1.5	45
PGPOL 1200/1300	1200	1300	1.56	46.8
PGPOL 1200/1350	1200	1350	1.62	48.6
PGPOL 1200/1400	1200	1400	1.68	50.4
PGPOL 1200/1450	1200	1450	1.74	52.2
PGPOL 1200/1500	1200	1500	1.8	54
PGPOL 1200/1550	1200	1550	1.86	55.8
PGPOL 1200/1600	1200	1600	1.92	57.6
PGPOL 1200/1650	1200	1650	1.98	59.4
PGPOL 1200/1700	1200	1700	2.04	61.2
PGPOL 1200/1750	1200	1750	2.1	63
PGPOL 1200/1800	1200	1800	2.16	64.8
PGPOL 1200/1850	1200	1850	2.22	66.6
PGPOL 1200/1900	1200	1900	2.28	68.4



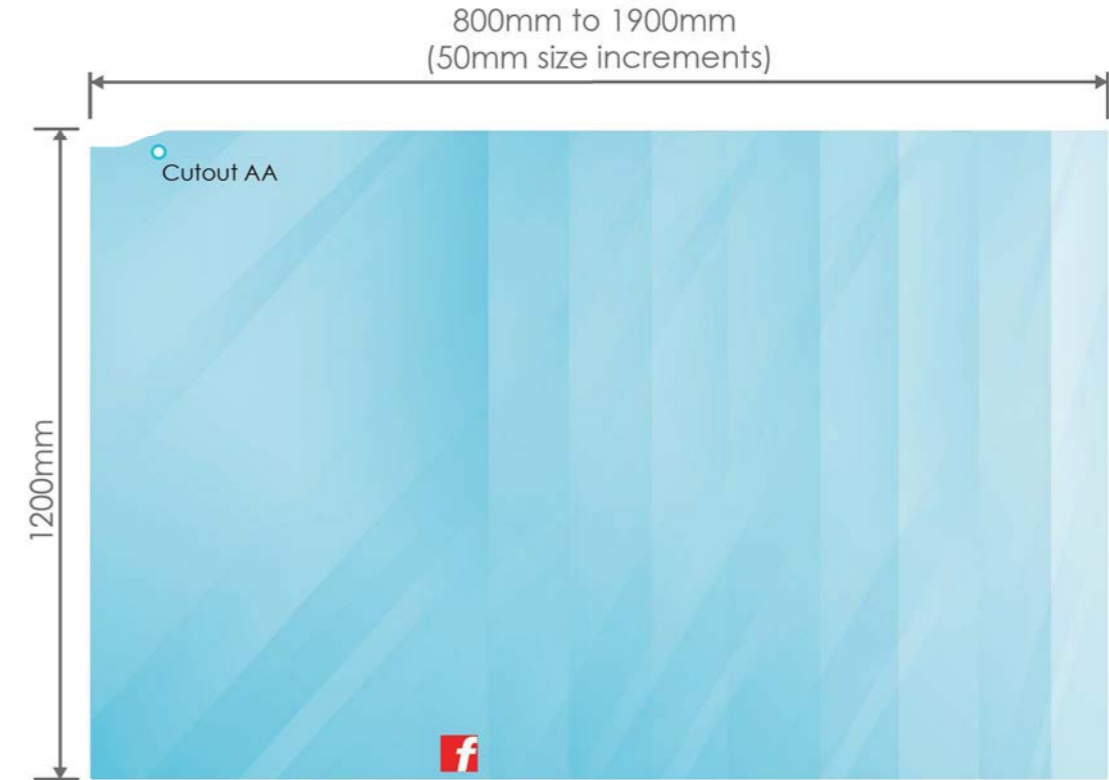
# Floor Spring Hinge Gate Panels



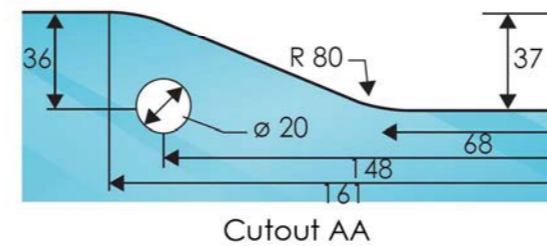
Product ID	Height (mm)	Width (mm)	Square Meter	Weight (Kg)
FSD1S	1222	900	1.0998	32.994
FSD1	1252	900	1.1268	33.804
FSD1L	1272	900	1.1448	34.344



# Floor Spring Hinge Glass

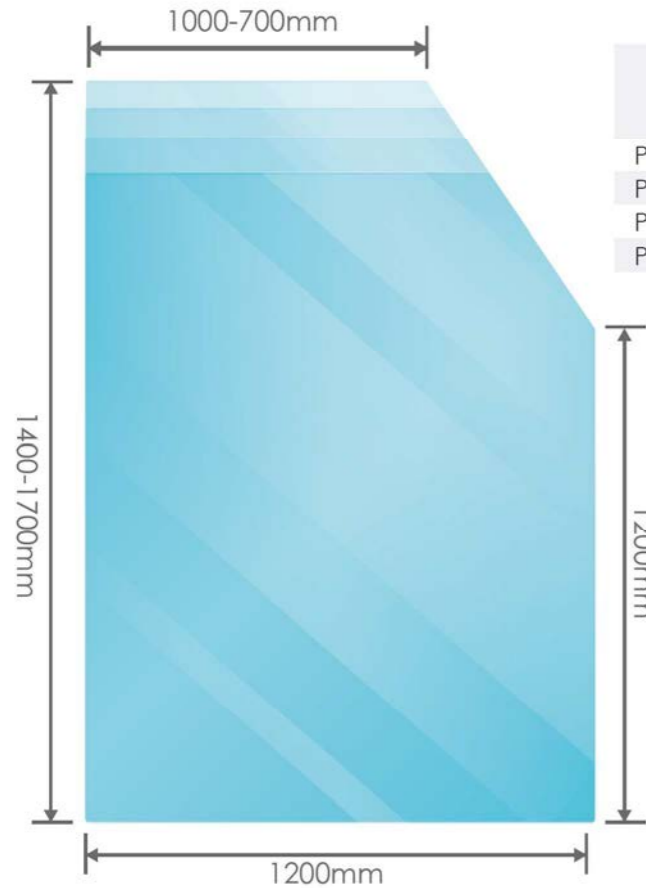


- Polished Edges & 2mm Radius Corners
- 12mm Thick Toughened Clear Glass
- Width from 800mm to 1900mm
- Available in 50mm Increments



Product ID	Height (mm)	Width (mm)	Square Meter	Weight (Kg)
PGH 1200/800	1200	800	0.96	28.8
PGH 1200/850	1200	850	1.02	30.6
PGH 1200/900	1200	900	1.08	32.4
PGH 1200/950	1200	950	1.14	34.2
PGH 1200/1000	1200	1000	1.2	36
PGH 1200/1050	1200	1050	1.26	37.8
PGH 1200/1100	1200	1100	1.32	39.6
PGH 1200/1150	1200	1150	1.38	41.4
PGH 1200/1200	1200	1200	1.44	43.2
PGH 1200/1250	1200	1250	1.5	45
PGH 1200/1300	1200	1300	1.56	46.8
PGH 1200/1350	1200	1350	1.62	48.6
PGH 1200/1400	1200	1400	1.68	50.4
PGH 1200/1450	1200	1450	1.74	52.2
PGH 1200/1500	1200	1500	1.8	54
PGH 1200/1550	1200	1550	1.86	55.8
PGH 1200/1600	1200	1600	1.92	57.6
PGH 1200/1650	1200	1650	1.98	59.4
PGH 1200/1700	1200	1700	2.04	61.2
PGH 1200/1750	1200	1750	2.1	63
PGH 1200/1800	1200	1800	2.16	64.8
PGH 1200/1850	1200	1850	2.22	66.6
PGH 1200/1900	1200	1900	2.28	68.4

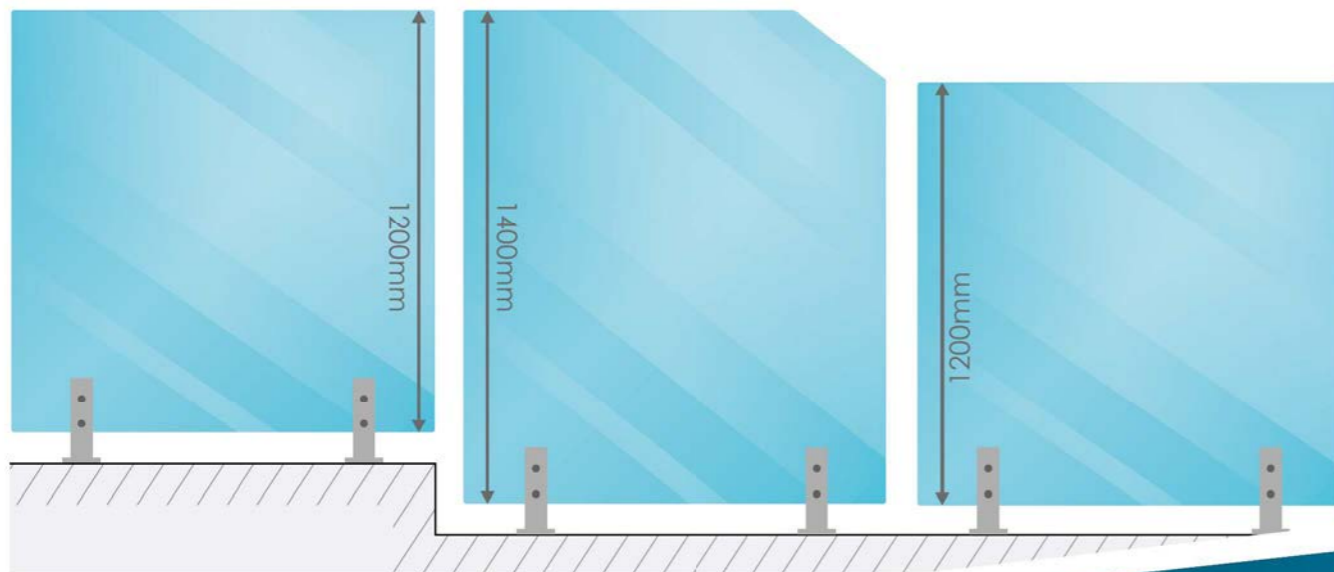
# Elevation Panels



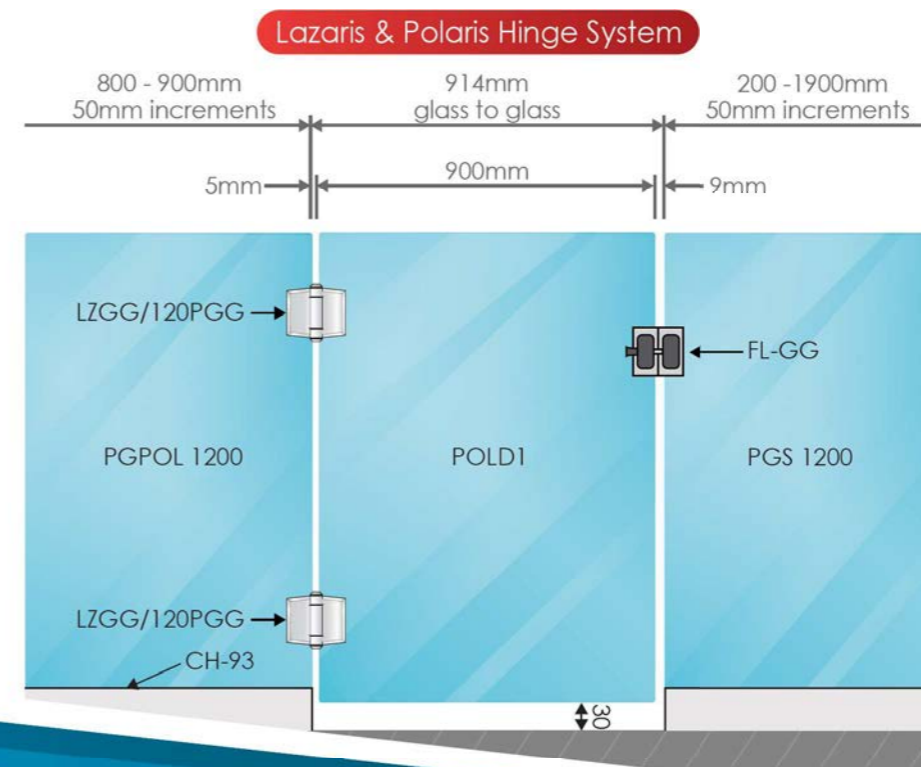
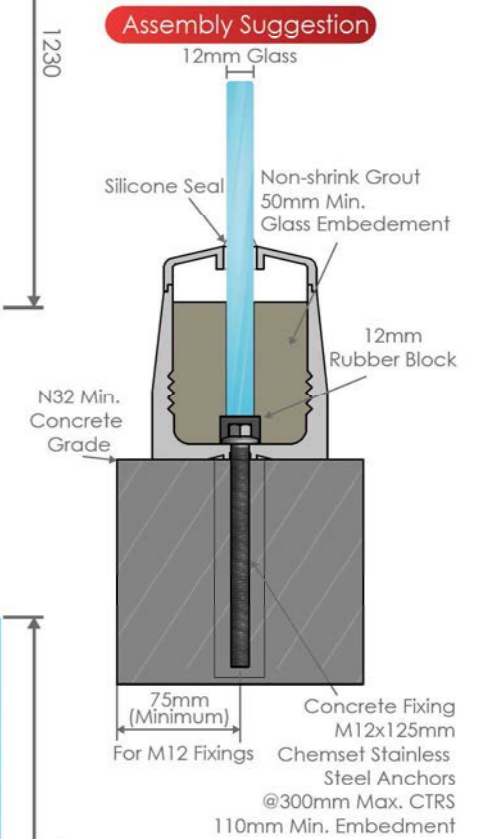
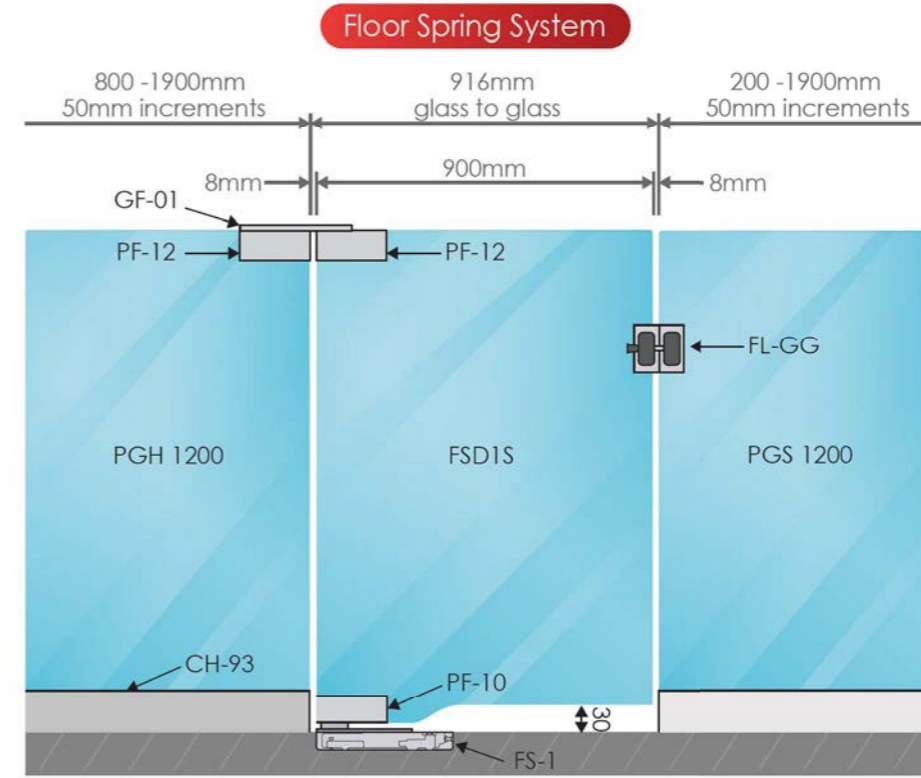
Product ID	Height (mm)	Width (mm)	Top Edge (mm)	Square Meter	Weight (Kg)
PGSH 1400/1200	1400	1200	1000	1.68	50.4
PGSH 1500/1200	1500	1200	900	1.8	54
PGSH 1600/1200	1600	1200	800	1.92	57.6
PGSH 1700/1200	1700	1200	700	2.04	61.2

- Polished Edges & 2mm Radius Corners
- 12mm Thick Toughened Clear Glass
- Height from 1400mm to 1700mm
- Solve landscape height differences in fencing

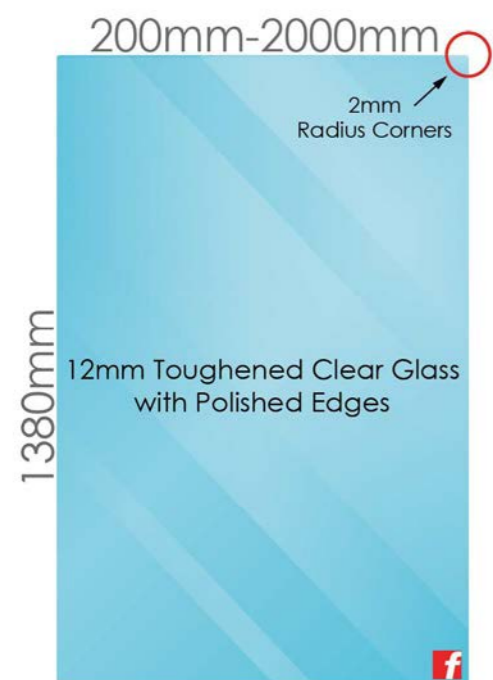
## Installation Example



# Channel Series



# 1380 Series Standard Panel



Product ID	Height (mm)	Width (mm)	Square Meter	Weight (Kg)
PGS 1380/200	1380	200	0.276	8.28
PGS 1380/250	1380	250	0.345	10.35
PGS 1380/300	1380	300	0.414	12.42
PGS 1380/350	1380	350	0.483	14.49
PGS 1380/400	1380	400	0.552	16.56
PGS 1380/450	1380	450	0.621	18.63
PGS 1380/500	1380	500	0.69	20.7
PGS 1380/550	1380	550	0.759	22.77
PGS 1380/600	1380	600	0.828	24.84
PGS 1380/650	1380	650	0.897	26.91
PGS 1380/700	1380	700	0.966	28.98
PGS 1380/750	1380	750	1.035	31.05
PGS 1380/800	1380	800	1.104	33.12
PGS 1380/850	1380	850	1.173	35.19
PGS 1380/900	1380	900	1.242	37.26
PGS 1380/950	1380	950	1.311	39.33
PGS 1380/1000	1380	1000	1.38	41.4
PGS 1380/1050	1380	1050	1.449	43.47
PGS 1380/1100	1380	1100	1.518	45.54
PGS 1380/1150	1380	1150	1.587	47.61
PGS 1380/1200	1380	1200	1.656	49.68
PGS 1380/1250	1380	1250	1.725	51.75
PGS 1380/1300	1380	1300	1.794	53.82
PGS 1380/1350	1380	1350	1.863	55.89
PGS 1380/1400	1380	1400	1.932	57.96
PGS 1380/1450	1380	1450	2.001	60.03
PGS 1380/1500	1380	1500	2.07	62.1
PGS 1380/1550	1380	1550	2.139	64.17
PGS 1380/1600	1380	1600	2.208	66.24
PGS 1380/1650	1380	1650	2.277	68.31
PGS 1380/1700	1380	1700	2.346	70.38
PGS 1380/1750	1380	1750	2.415	72.45
PGS 1380/1800	1380	1800	2.484	74.52
PGS 1380/1850	1380	1850	2.553	76.59
PGS 1380/1900	1380	1900	2.622	78.66

12mm Thick Toughened

2mm Radius Corners

Suits In-ground Layouts

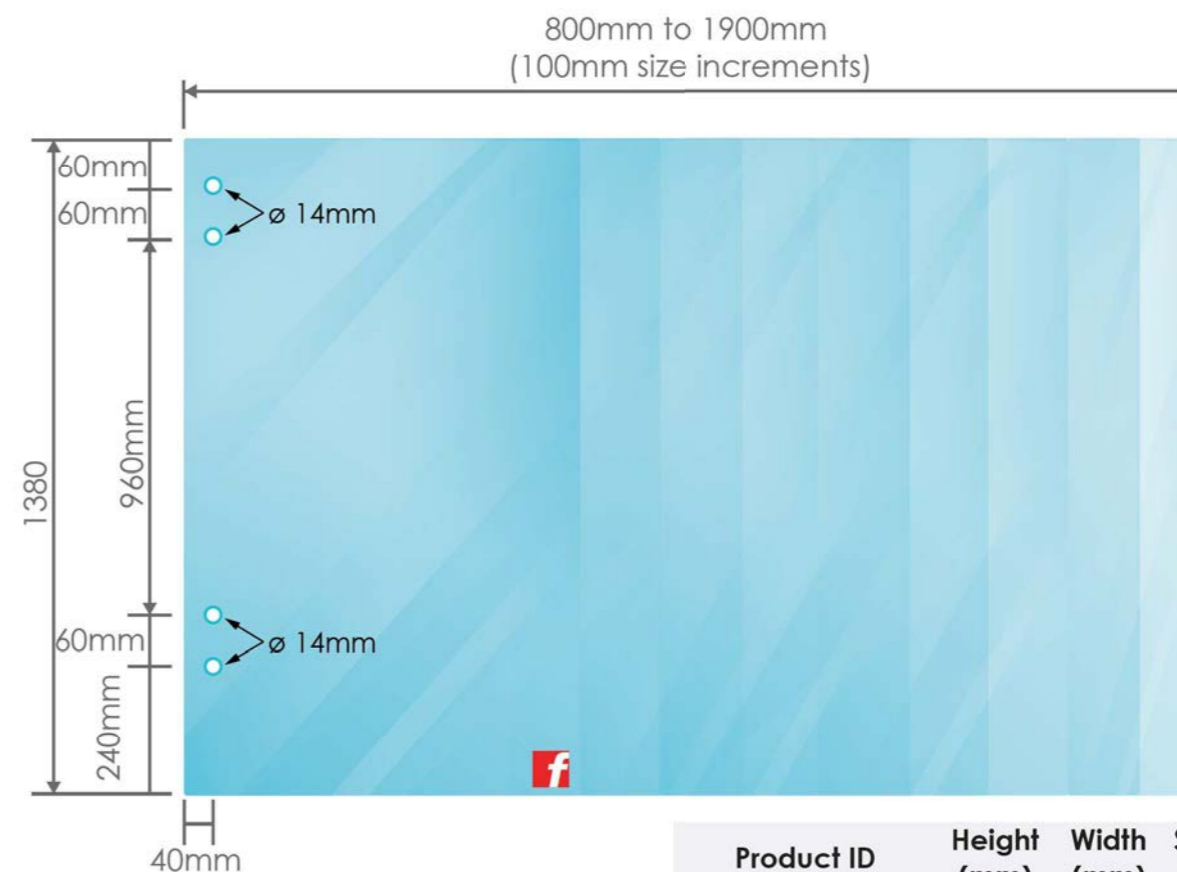
Australian Standards Compliant

Pristine Quality Glass

Sleek Polished Edges

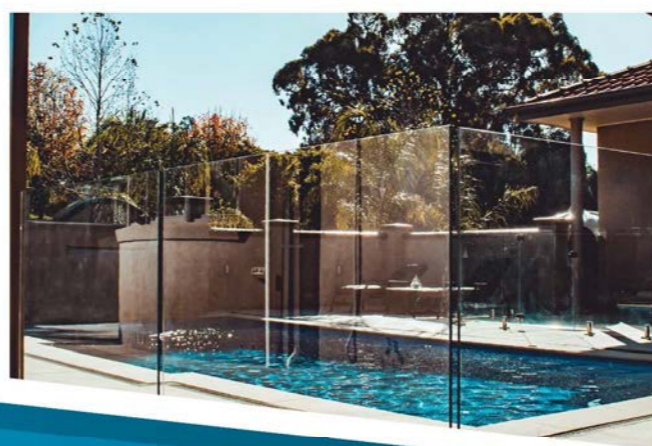
Modern & Contemporary

# In-Ground Metro Hinge Glass Panels



- Polished Edges & 2mm Radius Corners
- 12mm Thick Toughened Clear Glass
- Width from 800mm to 1900mm
- Available in 100mm Increments
- Suitable for In-ground Channels

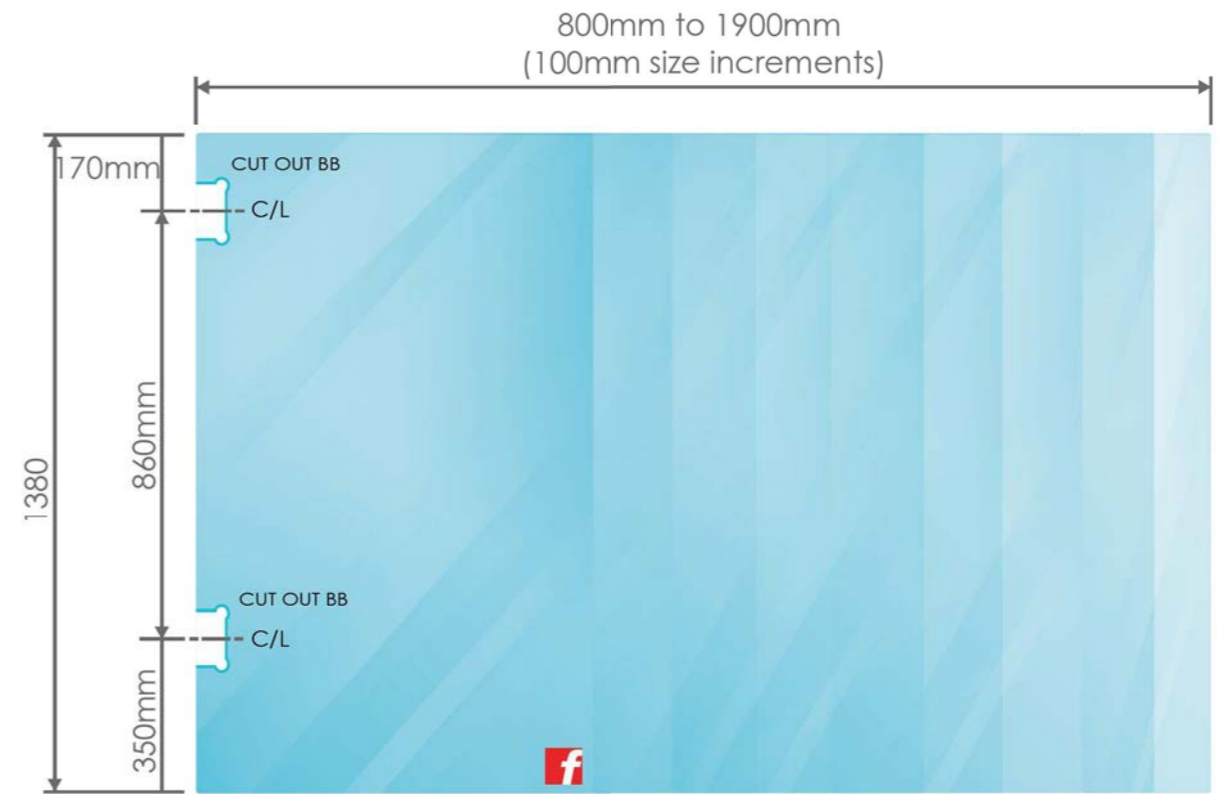
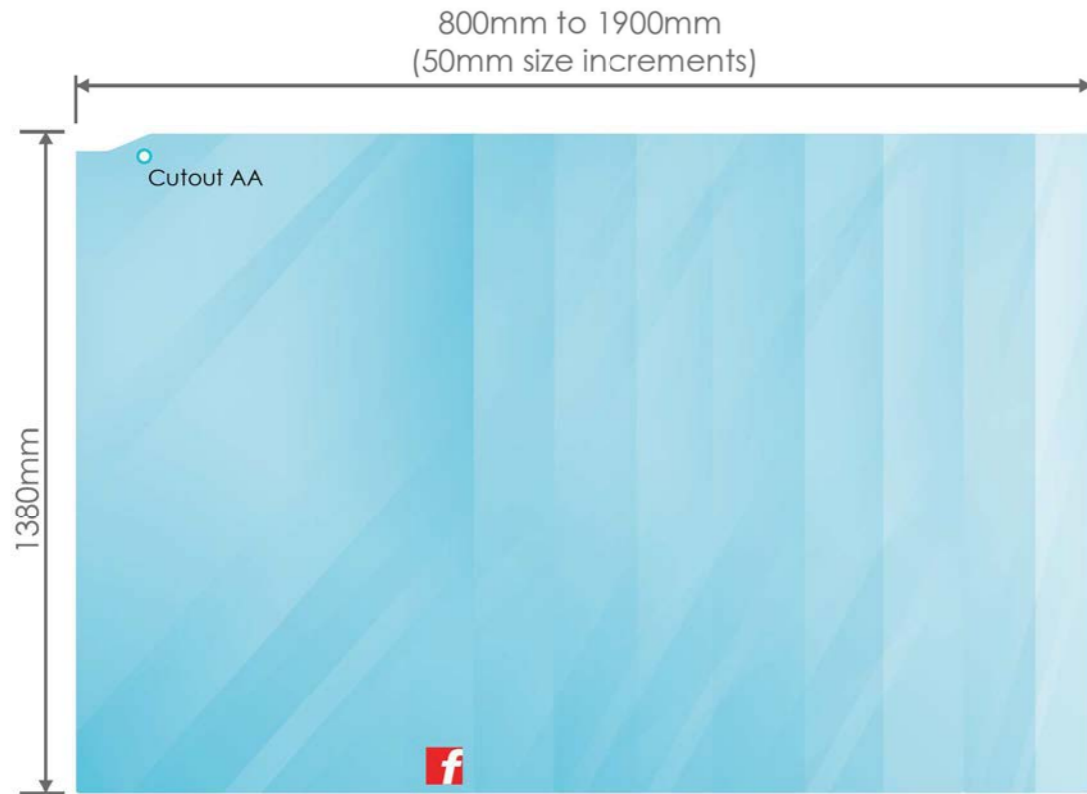
Product ID	Height (mm)	Width (mm)	Square Meter	Weight (Kg)
PGMTH 1380/800	1380	800	1.104	33.12
PGMTH 1380/900	1380	900	1.242	37.26
PGMTH 1380/1000	1380	1000	1.38	41.4
PGMTH 1380/1100	1380	1100	1.518	45.54
PGMTH 1380/1200	1380	1200	1.656	49.68
PGMTH 1380/1300	1380	1300	1.794	53.82
PGMTH 1380/1400	1380	1400	1.932	57.96
PGMTH 1380/1500	1380	1500	2.07	62.1
PGMTH 1380/1600	1380	1600	2.208	66.24
PGMTH 1380/1700	1380	1700	2.346	70.38
PGMTH 1380/1800	1380	1800	2.484	74.52
PGMTH 1380/1900	1380	1900	2.622	78.66





## In-Ground Floor Spring Hinge Panels

## In-Ground Lazaris & Polaris Hinge Glass Panels



Product ID	Height (mm)	Width (mm)	Square Meter	Weight (Kg)
PGH 1380/800	1380	800	1.104	33.12
PGH 1380/900	1380	900	1.242	37.26
PGH 1380/1000	1380	1000	1.38	41.4
PGH 1380/1100	1380	1100	1.518	45.54
PGH 1380/1200	1380	1200	1.656	49.68
PGH 1380/1300	1380	1300	1.794	53.82
PGH 1380/1400	1380	1400	1.932	57.96
PGH 1380/1500	1380	1500	2.07	62.1
PGH 1380/1600	1380	1600	2.208	66.24
PGH 1380/1700	1380	1700	2.346	70.38
PGH 1380/1800	1380	1800	2.484	74.52
PGH 1380/1900	1380	1900	2.622	78.66

Product ID	Height (mm)	Width (mm)	Square Meter	Weight (Kg)
PGPOL 1380/800	1380	800	1.104	33.12
PGPOL 1380/900	1380	900	1.242	37.26
PGPOL 1380/1000	1380	1000	1.38	41.4
PGPOL 1380/1100	1380	1100	1.518	45.54
PGPOL 1380/1200	1380	1200	1.656	49.68
PGPOL 1380/1300	1380	1300	1.794	53.82
PGPOL 1380/1400	1380	1400	1.932	57.96
PGPOL 1380/1500	1380	1500	2.07	62.1
PGPOL 1380/1600	1380	1600	2.208	66.24
PGPOL 1380/1700	1380	1700	2.346	70.38
PGPOL 1380/1800	1380	1800	2.484	74.52
PGPOL 1380/1900	1380	1900	2.622	78.66

Polished Edges & 2mm Radius Corners

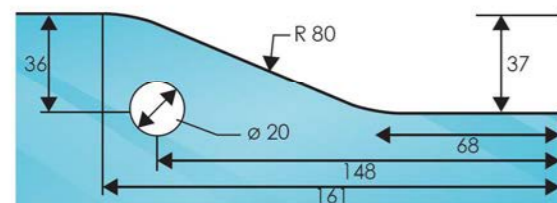
12mm Thick Toughened Clear Glass

Width from 800mm to 1900mm

Available in 100mm Increments

Suitable for In-ground Channels

Cut-out to Suit PF-10 Fittings



Cutout AA

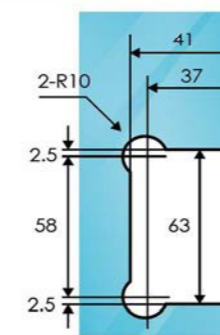
Polished Edges & 2mm Radius Corners

12mm Thick Toughened Clear Glass

Width from 800mm to 1900mm

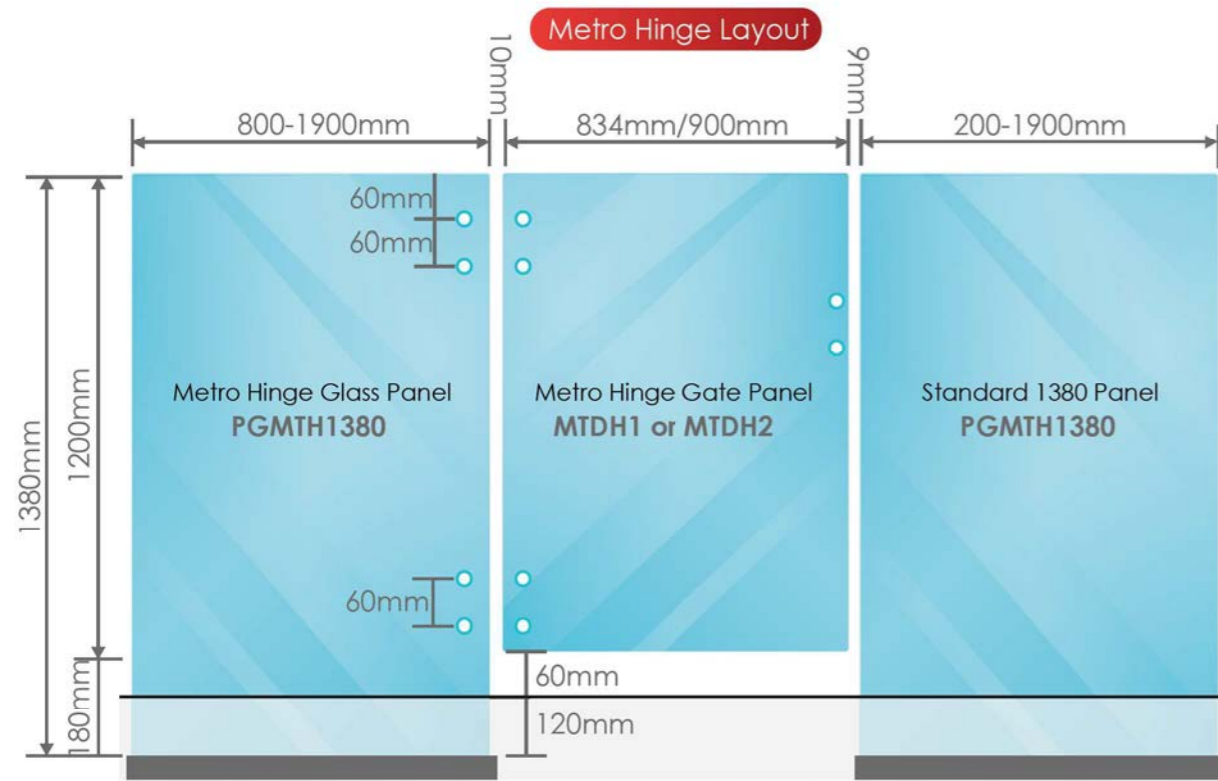
Available in 100mm Increments

Suitable for In-ground Channels

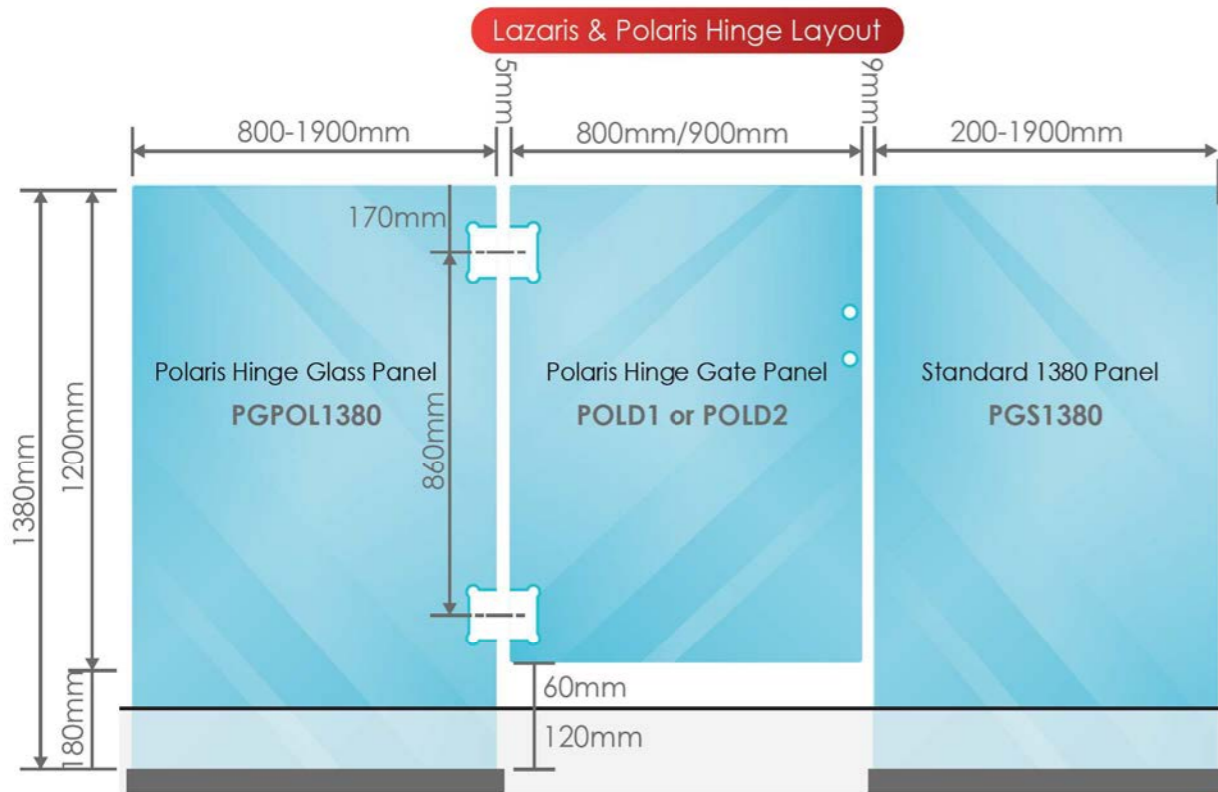


CUT OUT BB

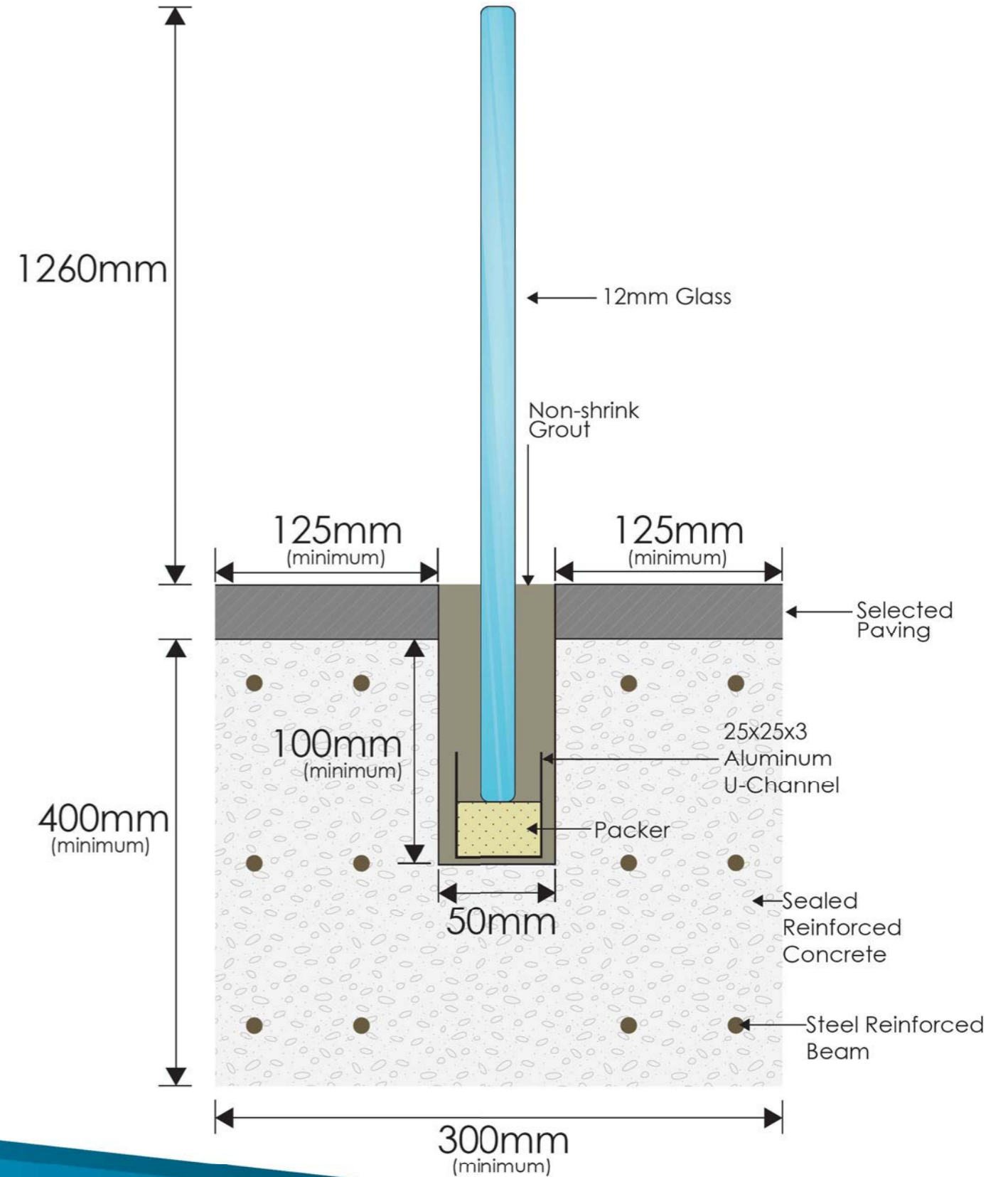
## In-Ground Series Layout



A friction latch will allow for any standard panel to be attached to gate panels shown.\*



## In-Ground Assembly Suggestions



## Spigots & Mini Posts



Encore Round Series  
Fully Adjustable



Milan Square Series



Encore Square Series  
Fully Adjustable



MPS-S Series

## Encore Fully Adjustable Range

10mm 10mm

**Adjustable glass angle!**  
Simply tighten or loosen the grub  
screws to adjust the glass angle  
Up to 10mm each way

see the next page

**If the glass is leaning towards the grub screws.**



- 1 Loosen the bottom screw slightly to allow the glass to move.
- 2 Tighten the top screw until the glass is level.
- 3 Tighten the bottom screw until tight.

Repeat above if needed.

**If the glass is leaning away from the grub screws.**



- 1 Loosen the top screw slightly to allow the glass to move.
- 2 Tighten the bottom screw until the glass is level.
- 3 Tighten the top screw until tight.

Repeat above if needed.

# Fully Adjustable- Encore Round

FULLY ADJUSTABLE



Encore Round Base

Enc Rndbase

**Details:**

- Fully Adjustable
- Duplex 2205
- Stainless Steel
- Suitable for surface mount
- To suit 12mm glass

**Finishes:**

- Polished
- Satin

**Specifications:**

- Pool Fence Compliant AS1926
- Balustrade Compliant AS1170.1-2002 subsection 3.6 barriers table 3.3 minimum imposed actions for barriers

FULLY ADJUSTABLE



Encore Round Core

Enc Rndcore

**Details:**

- Fully Adjustable
- Duplex 2205
- Stainless Steel
- To suit 12mm glass

**Finishes:**

- Polished
- Satin

**Specifications:**

- Pool Fence Compliant AS1926



Round cover plate  
Available

20mm(H)x100mm(W)

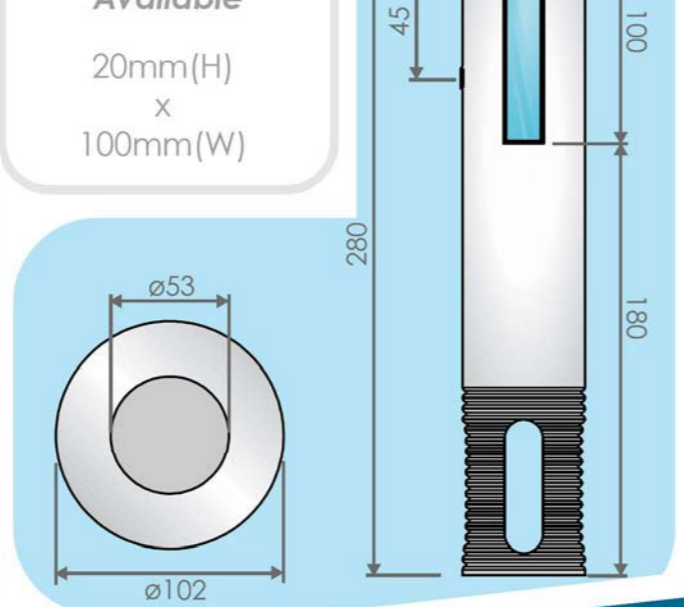
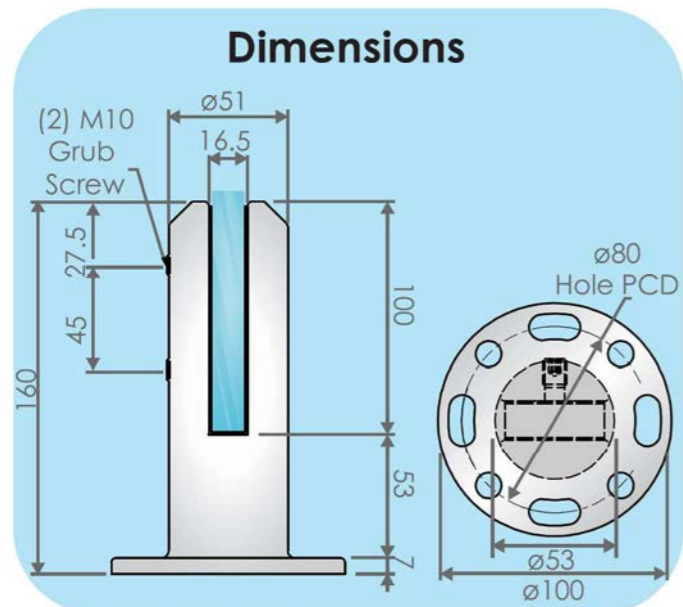
ENC-RNDBASE-COVER



ENC-RNDCORE-DRESS RING

Round Dress Ring  
Available

20mm(H)  
x  
100mm(W)



# Fully Adjustable- Encore Square

FULLY ADJUSTABLE



Encore Square Base

Enc-Sqbase

**Details:**

- Fully Adjustable
- Duplex 2205
- Stainless Steel
- Suitable for surface mount
- To suit 12mm glass

**Finishes:**

- Polished
- Satin
- Black Satin

**Specifications:**

- Pool Fence Compliant AS1926
- Balustrade Compliant AS1170.1-2002 subsection 3.6 barriers table 3.3 minimum imposed actions for barriers

FULLY ADJUSTABLE



Encore Square Core

Enc-Sqcore

**Details:**

- Fully Adjustable
- Duplex 2205
- Stainless Steel
- To suit 12mm glass

**Finishes:**

- Polished
- Satin
- Black Satin

**Specifications:**

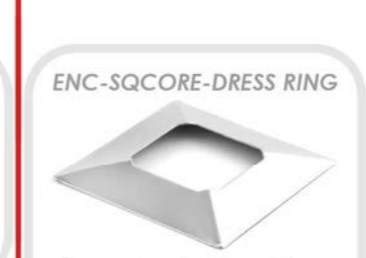
- Pool Fence Compliant AS1926



Square cover plate  
Available

20mm(H)x100mm(W)

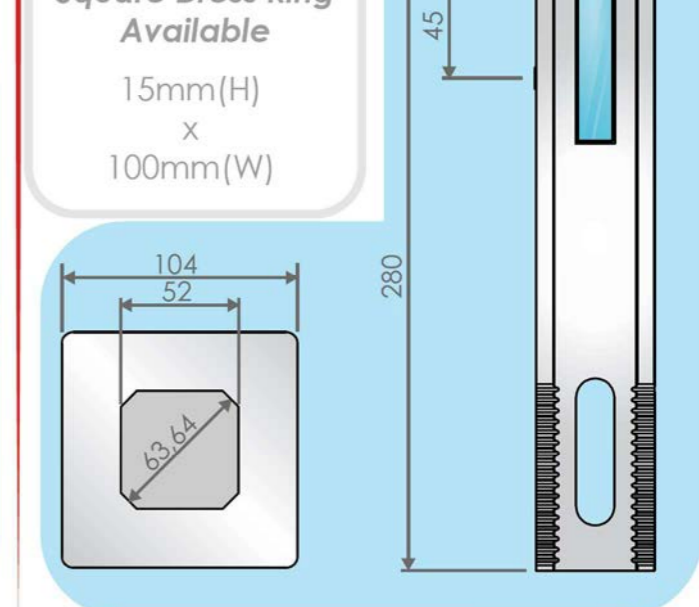
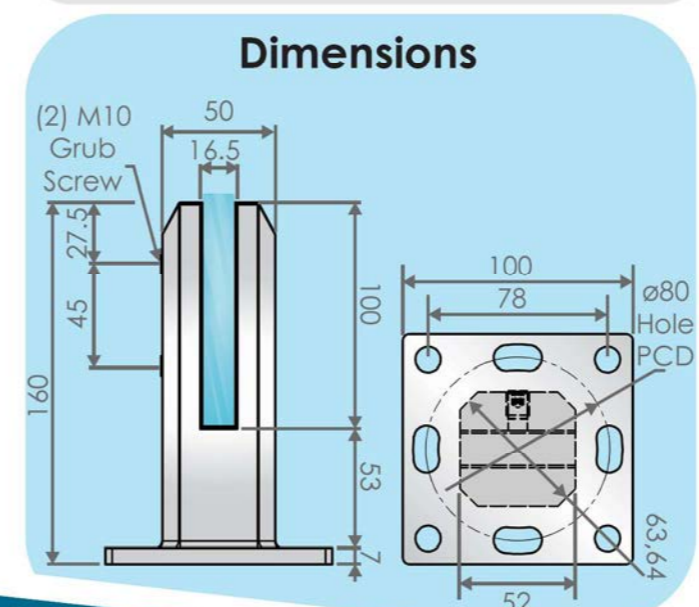
ENC-SQBASE-COVER



ENC-SQCORE-DRESS RING

Square Dress Ring  
Available

15mm(H)  
x  
100mm(W)



## MPS-S Series



Mini Post with Base  
MPSB-6

**Details:**

- Duplex 2205
- Stainless Steel
- Suitable for surface mount
- To suit 12mm glass

**Finishes:**

- Polished
- Satin

**Specifications:**

- Pool Fence Compliant AS1926
- Balustrade Compliant AS1170.1-2002 subsection 3.6 barriers table 3.3 minimum imposed actions for barriers



Square Core Spigot  
MPS-6S

**Details:**

- Duplex 2205
- Stainless Steel
- To suit 12mm glass

**Finishes:**

- Polished
- Satin

**Specifications:**

- Pool Fence Compliant AS1926
- Balustrade Compliant AS1170.1-2002 subsection 3.6 barriers table 3.3 minimum imposed actions for barriers



Square Cover Plate  
Available

20mm(H)x100mm(W)

MPSB-6-CP

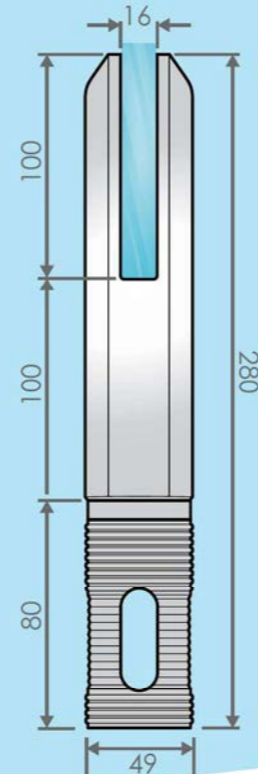
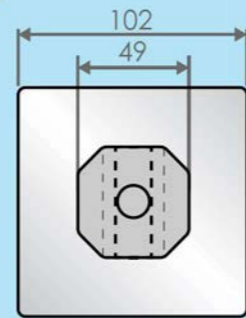
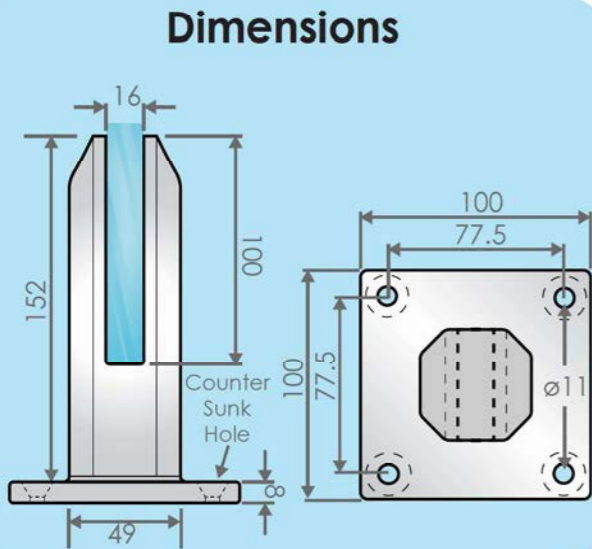


MPS-6-DR

Square Dress  
Ring  
Available

5.5mm(H)  
x  
102mm(W)

**Dimensions**



Mini Post with Base  
MILAN-BASESPIGOT

**Details:**

- Duplex 2205
- 316 Stainless Steel
- Suitable for surface mount
- To suit 12mm glass

**Finishes:**

- Polished
- Satin

**Specifications:**

- Pool Fence Compliant AS1926



Square Cover Plate  
Available

23mm(H)x100mm(W)

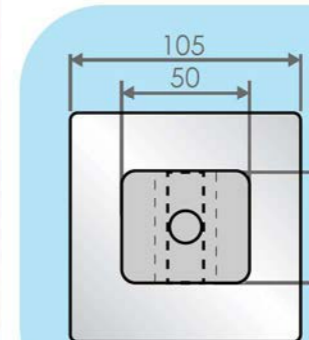
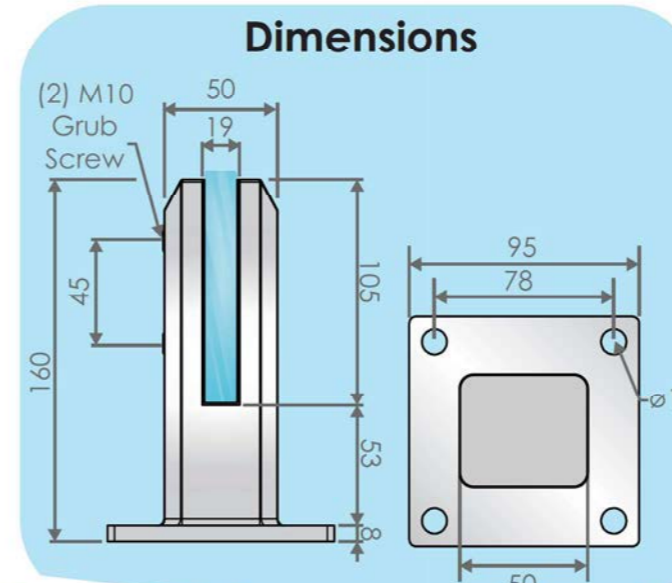
MILAN-BASECOVER



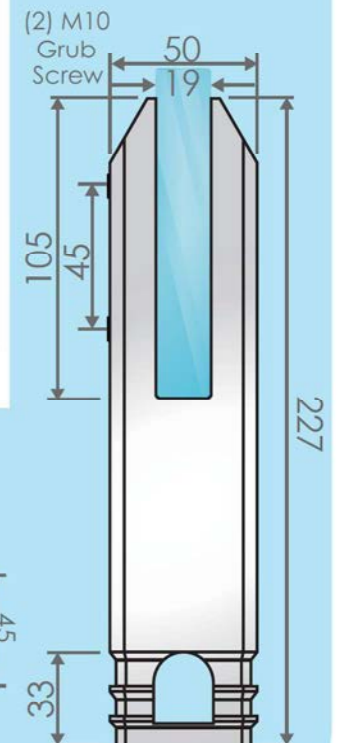
MILAN-DRESSRING

Square Dress  
Ring  
Available

1.5mm(H)  
x  
105mm(W)



**Dimensions**

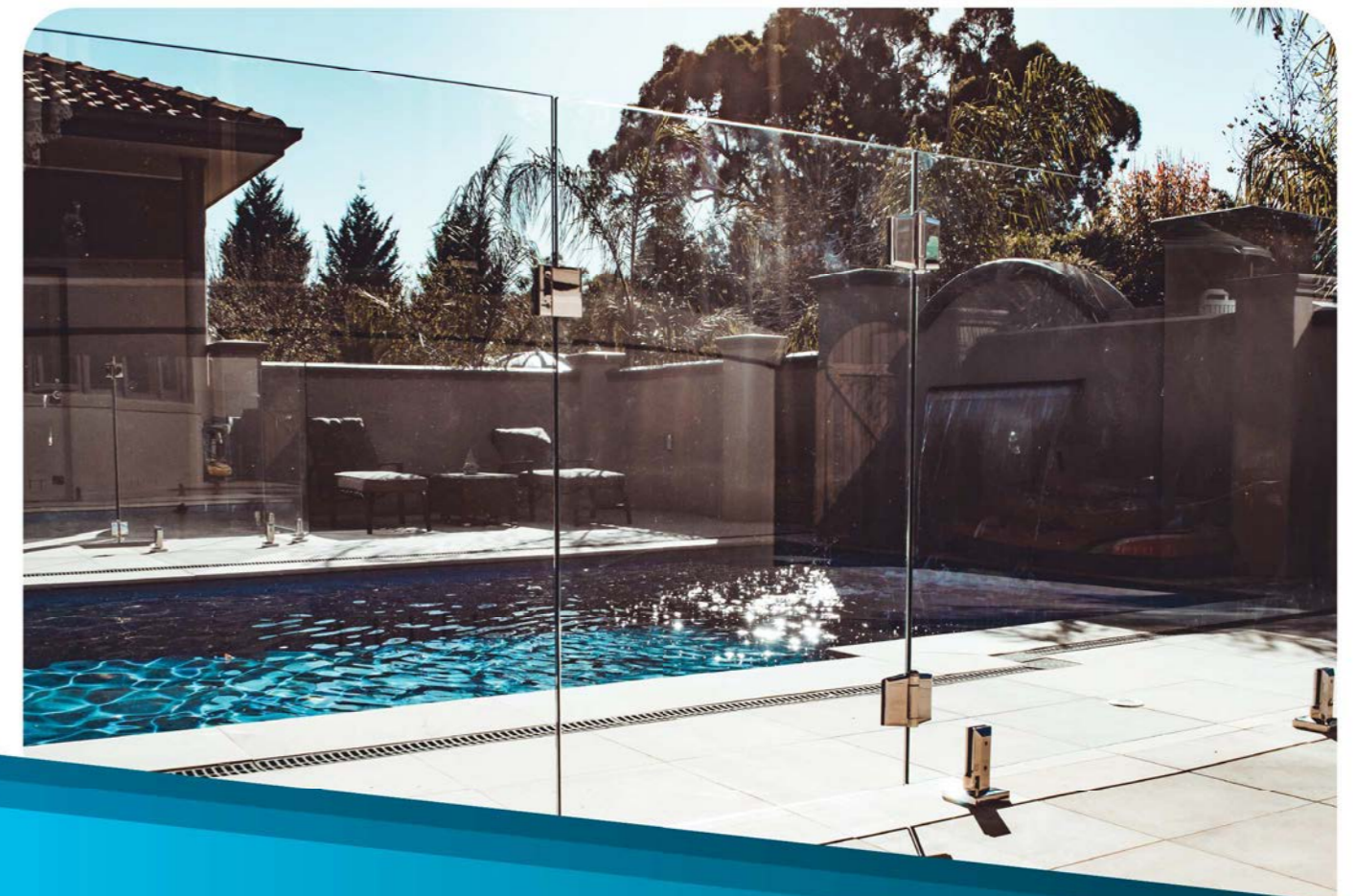




## Hardware

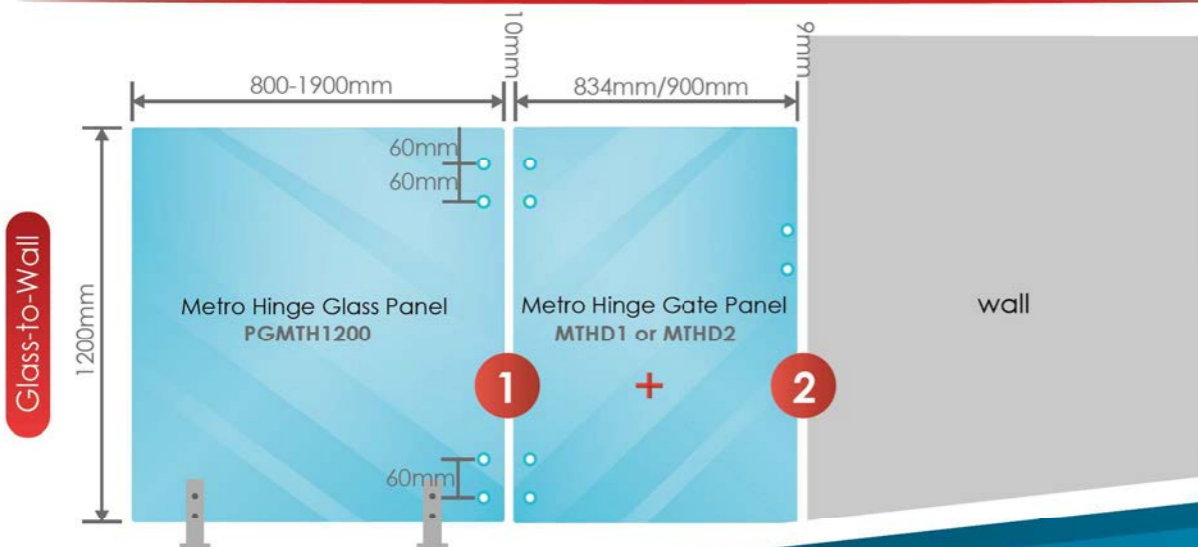
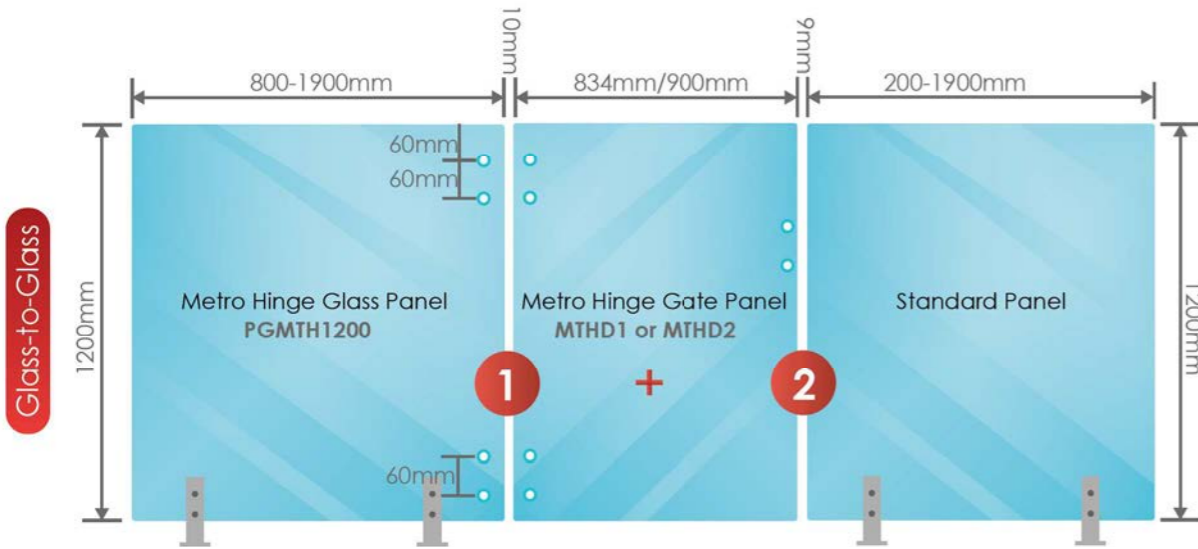
### *Our pool fence hinges, brackets and latches*

Frameless Direct has a large array of hinges & latches, available in polished, satin and black satin finishes. All our products are quality controlled and made of strong 316 stainless steel & duplex 2205. Our systems ensure a great-looking and functional solutions for configurations of all kinds!



# Metro Range Layout

# Metro Range Hardware



**1**

**MTH-GG**  
**Finishes:**  
- Polished  
- Satin  
- Black Satin

**Metro Hinge**  
- 316 Stainless Steel  
- Suits 12mm Metro Hinge Panels  
- Suits 8-10mm Gate Panels

**2**

**FL-GG**  
**Finishes:**  
- Polished  
- Satin  
- Black Satin

**Friction Latch**  
- 316 Stainless Steel  
- Suits 8-12mm Glass

**Glass-to-Glass**

**1**

**MTH-WG**  
**Finishes:**  
- Polished  
- Satin

**Metro Hinge**  
- 316 Stainless Steel  
- Suits Wall Mount & Square Posts  
- Suits 8-10mm Gate Panels

**2**

**FL-GG**  
**Finishes:**  
- Polished  
- Satin  
- Black Satin

**Friction Latch**  
- 316 Stainless Steel  
- Suits 8-12mm Glass

**Wall-to-Glass**

**1**

**MTH-GG**  
**Finishes:**  
- Polished  
- Satin  
- Black Satin

**Metro Hinge**  
- 316 Stainless Steel  
- Suits 12mm Metro Hinge Panels  
- Suits 8-10mm Gate Panels

**2**

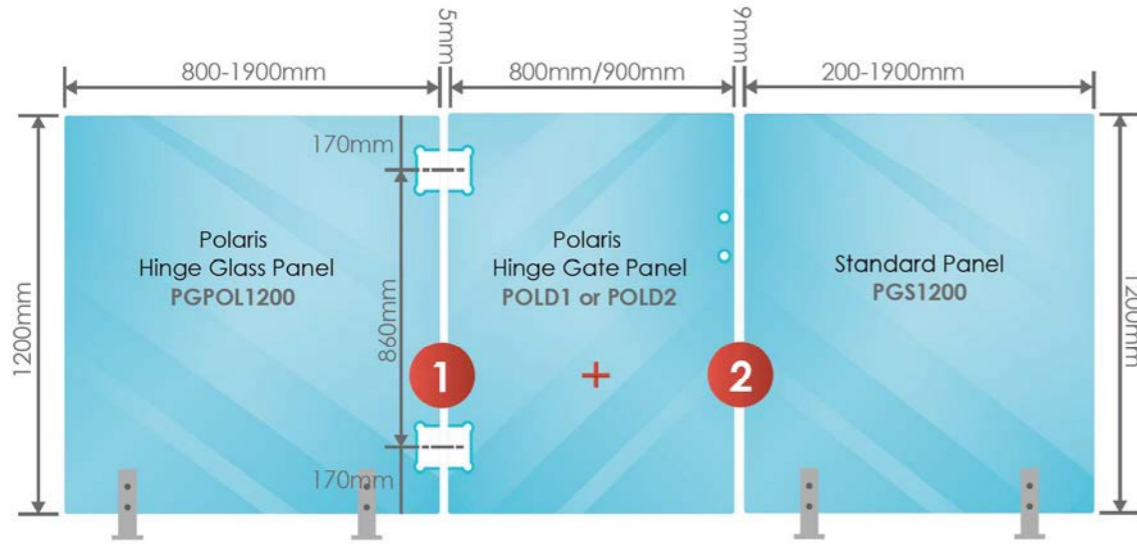
**FL-GW**  
**Finishes:**  
- Polished  
- Satin  
- Black Satin

**Friction Latch**  
- 316 Stainless Steel  
- Suits 8-12mm Glass

**Glass-to-Wall**



# Polaris Range Layout



Glass-to-Glass

# Polaris Range Layout

**1**

**120PGGP**  
**Finishes:**  
- Polished  
- Satin  
- Black Satin

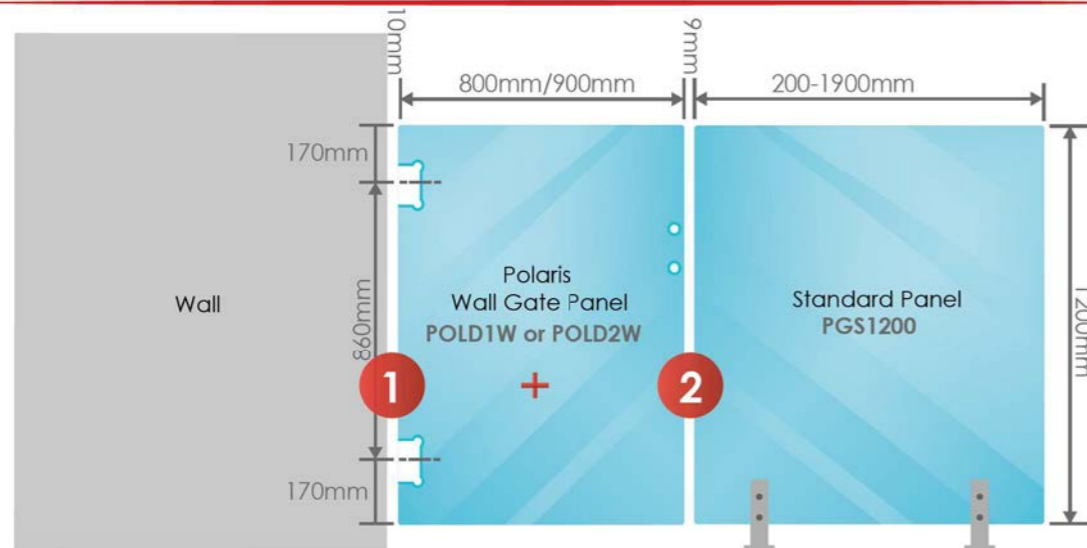
**Polaris Hinge**  
- 316 Stainless Steel  
- Suits 12mm Polaris Hinge Panels  
- Suits Pool Fences  
- Suits 12mm Gate Panels

**2**

**FL-GG**  
**Finishes:**  
- Polished  
- Satin  
- Black Satin

**Friction Latch**  
- 316 Stainless Steel  
- Suits 8-12mm Glass

Glass-to-Glass



Wall-to-Glass

**1**

**120PGWB**  
**Finishes:**  
- Polished  
- Satin  
- Black Satin

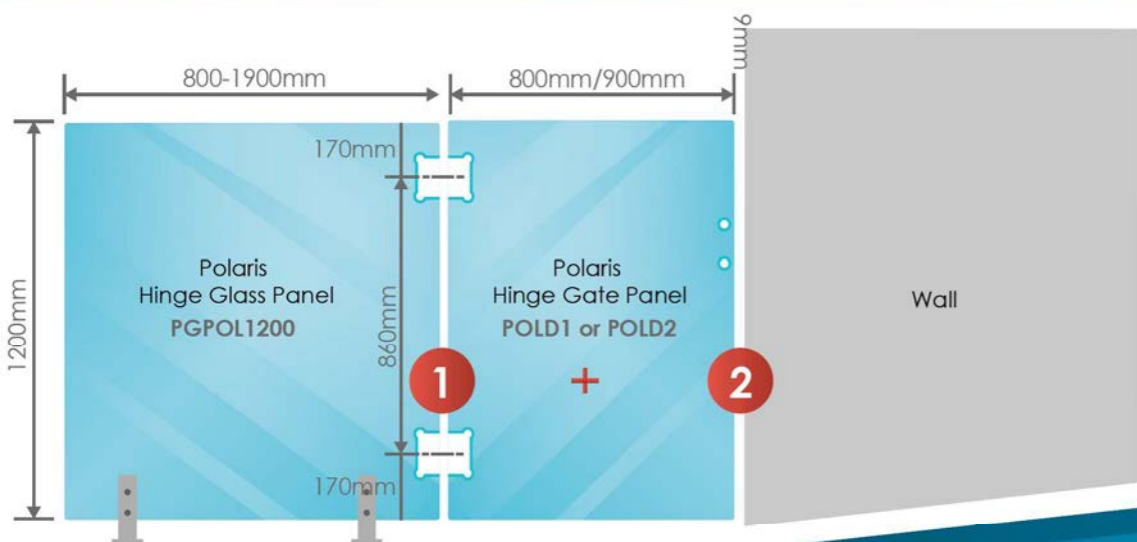
**Polaris Hinge**  
- 316 Stainless Steel  
- Suits 12mm Polaris Hinge Panels  
- Suits Pool Fences  
- Suits Wall Mounts & Square Posts

**2**

**FL-GG**  
**Finishes:**  
- Polished  
- Satin  
- Black Satin

**Friction Latch**  
- 316 Stainless Steel  
- Suits 8-12mm Glass

Wall-to-Glass



Glass-to-Wall

**2**

**120PGGB**  
**Finishes:**  
- Polished  
- Satin  
- Black Satin

**Polaris Hinge**  
- 316 Stainless Steel  
- Suits 12mm Polaris Hinge Panels  
- Suits Pool Fences  
- Suits 12mm Gate Panels

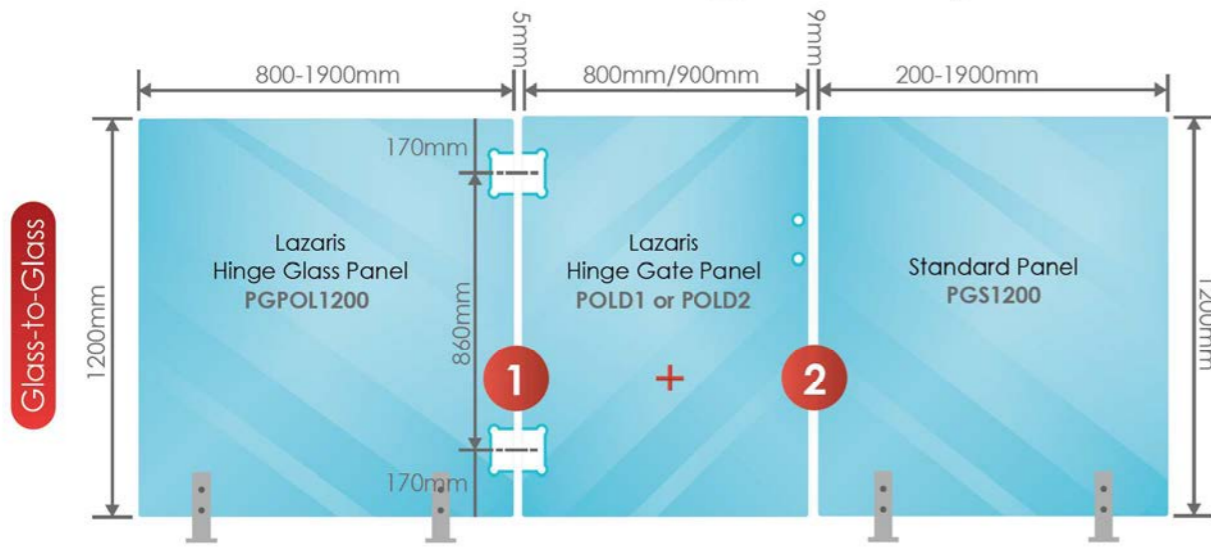
**2**

**FL-GW**  
**Finishes:**  
- Polished  
- Satin  
- Black Satin

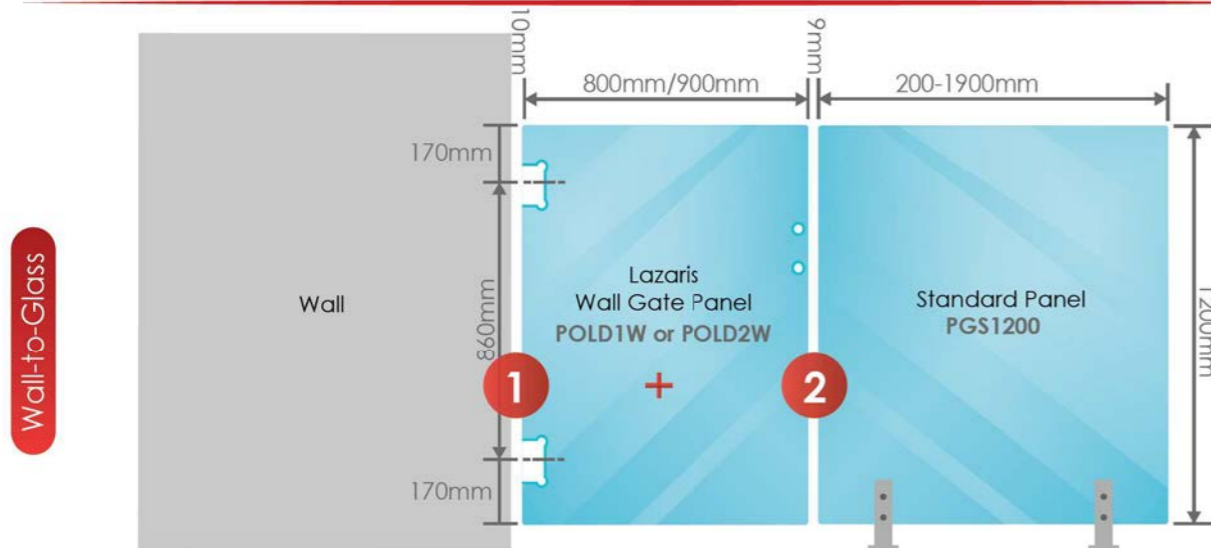
**Friction Latch**  
- 316 Stainless Steel  
- Suits 8-12mm Glass

Glass-to-Wall

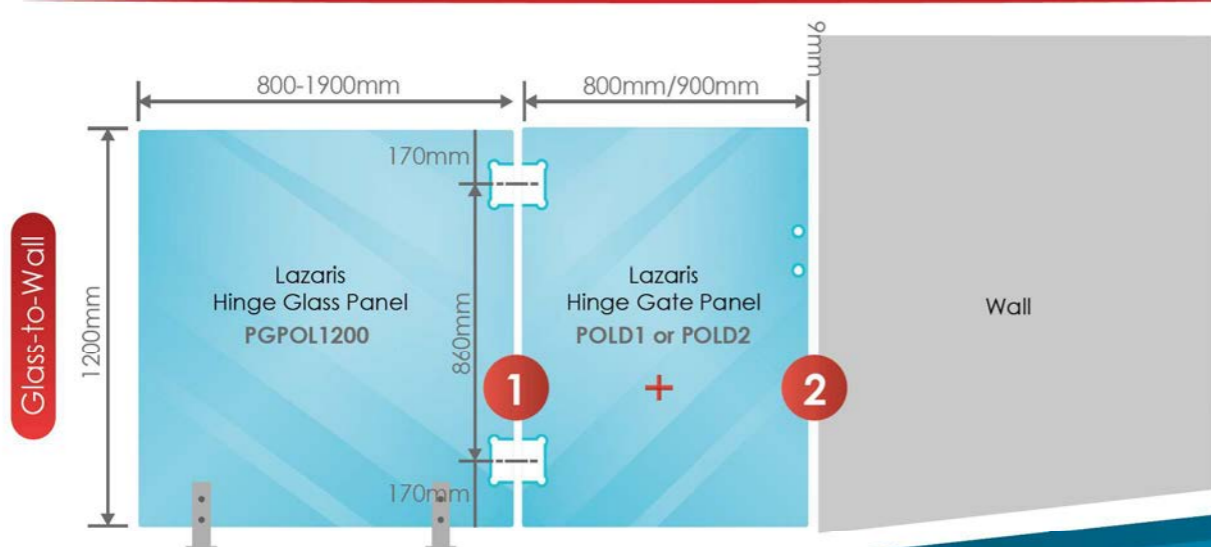
# Lazaris Range Layout



Glass-to-Glass



Wall-to-Glass



Glass-to-Wall

# Lazaris Range Layout

**1**



**LZGGP**  
**Finishes:**  
- Polished  
- Satin  
- Black Satin

**Lazaris Hinge**  
- 316 Stainless Steel  
- Suits 12mm Lazaris Hinge Panels  
- Suits Shower Screens & Pool Fences  
- Suits 12mm Gate Panels

**2**



**FL-GG**  
**Finishes:**  
- Polished  
- Satin  
- Black Satin

**Friction Latch**  
- 316 Stainless Steel  
- Suits 12mm Glass

Glass-to-Glass

**1**



**LZGWP**  
**Finishes:**  
- Polished  
- Satin  
- Black Satin

**Lazaris Hinge**  
- 316 Stainless Steel  
- Suits 12mm Lazaris Hinge Panels  
- Suits Pool Fences  
- Suits Wall Mounts & Square Posts

**2**



**FL-GG**  
**Finishes:**  
- Polished  
- Satin  
- Black Satin

**Friction Latch**  
- 316 Stainless Steel  
- Suits 12mm Glass

Wall-to-Glass

**1**



**LZGGP**  
**Finishes:**  
- Polished  
- Satin  
- Black Satin

**Lazaris Hinge**  
- 316 Stainless Steel  
- Suits 12mm Lazaris Hinge Panels  
- Suits Pool Fences  
- Suits 12mm Gate Panels

**2**

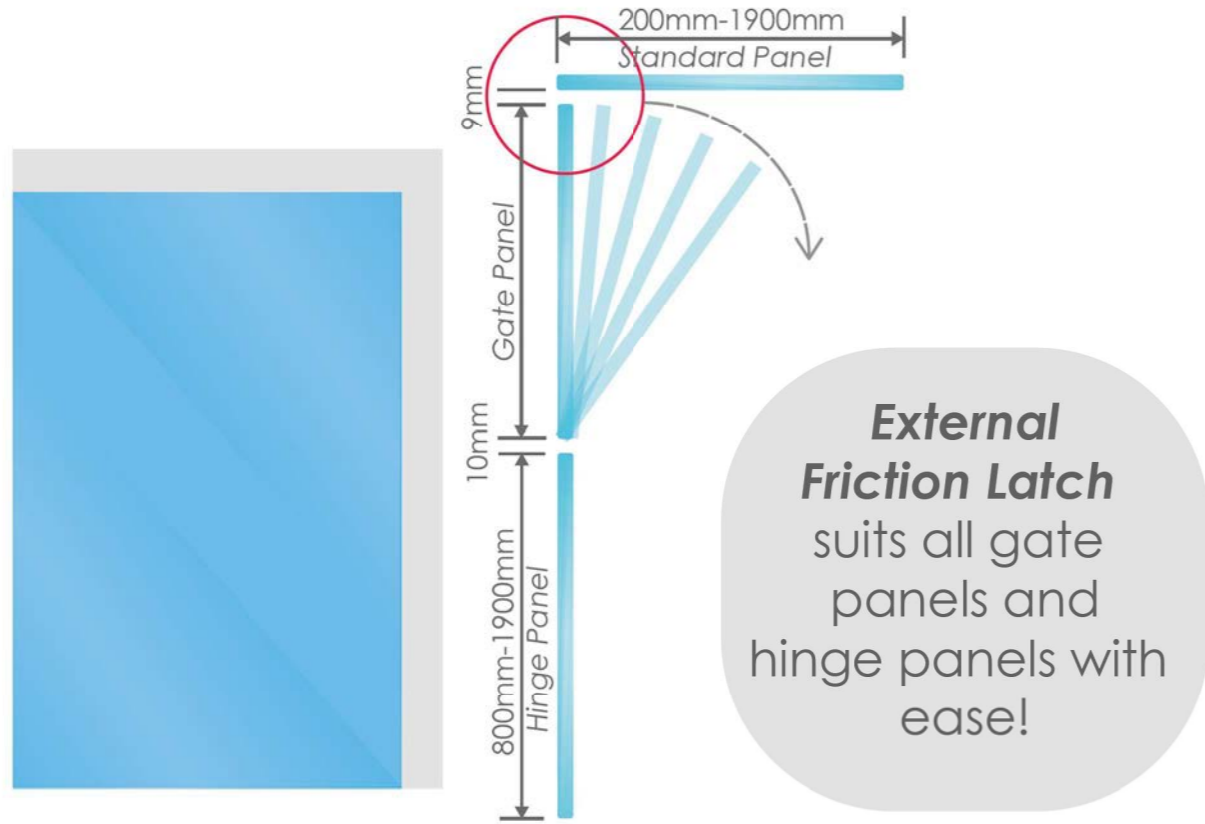


**FL-GW**  
**Finishes:**  
- Polished  
- Satin  
- Black Satin

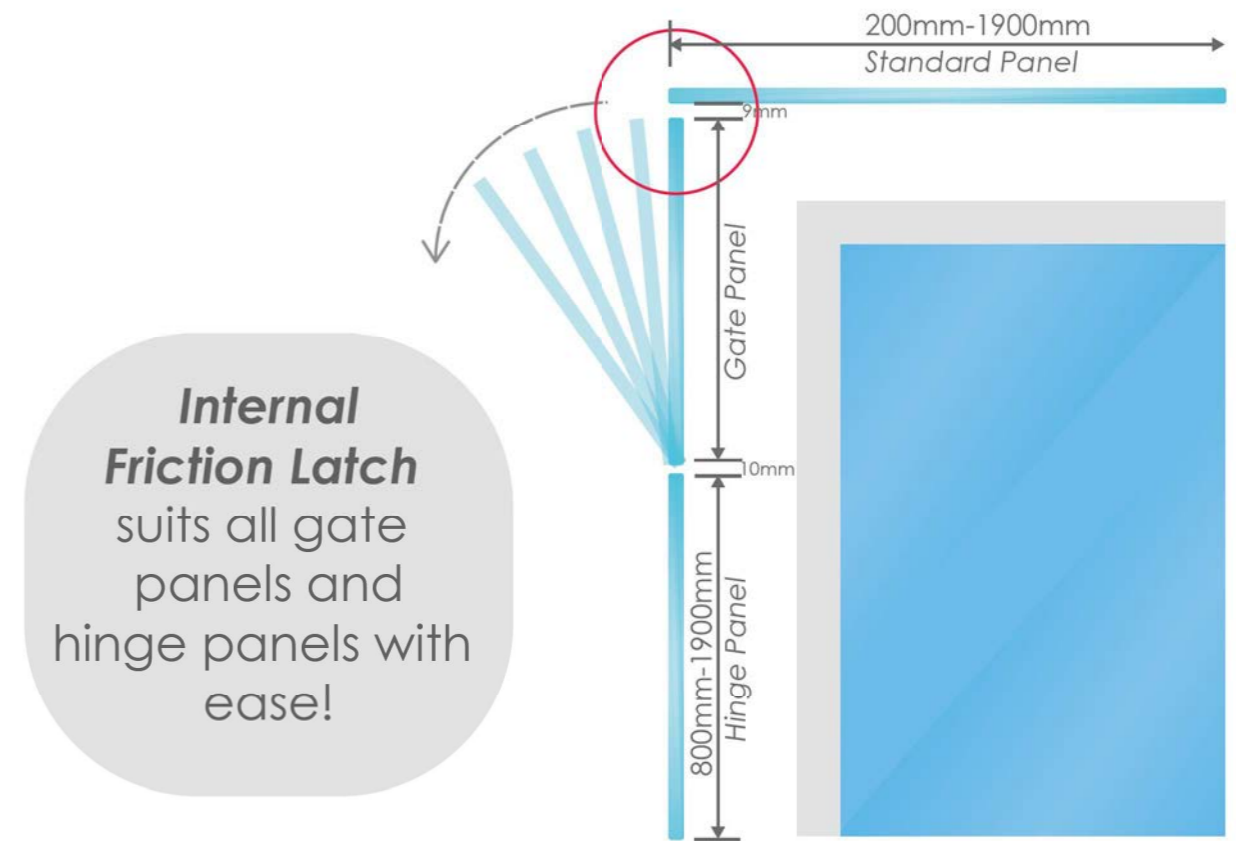
**Friction Latch**  
- 316 Stainless Steel  
- Suits 12mm Glass

Glass-to-Wall

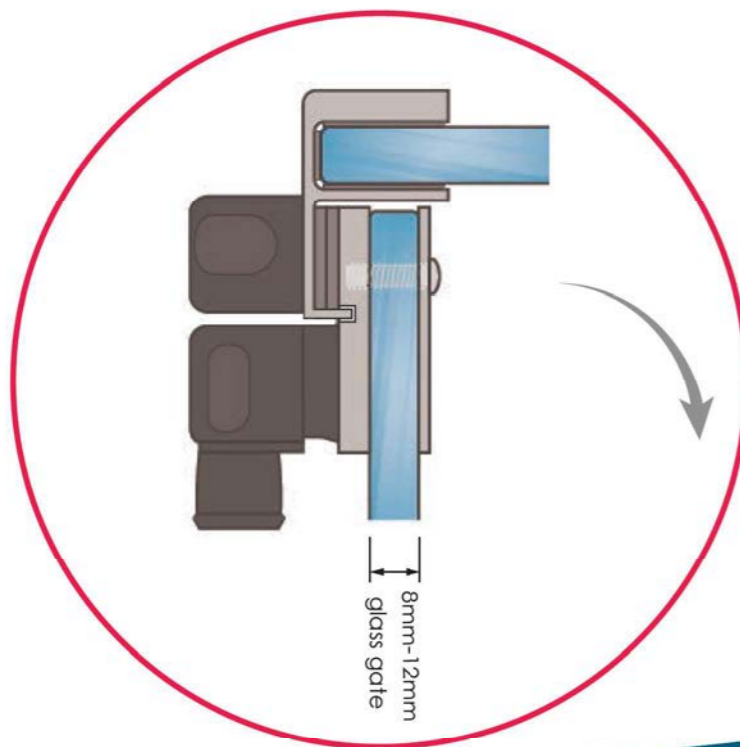
## Internal 90° Corner Latch



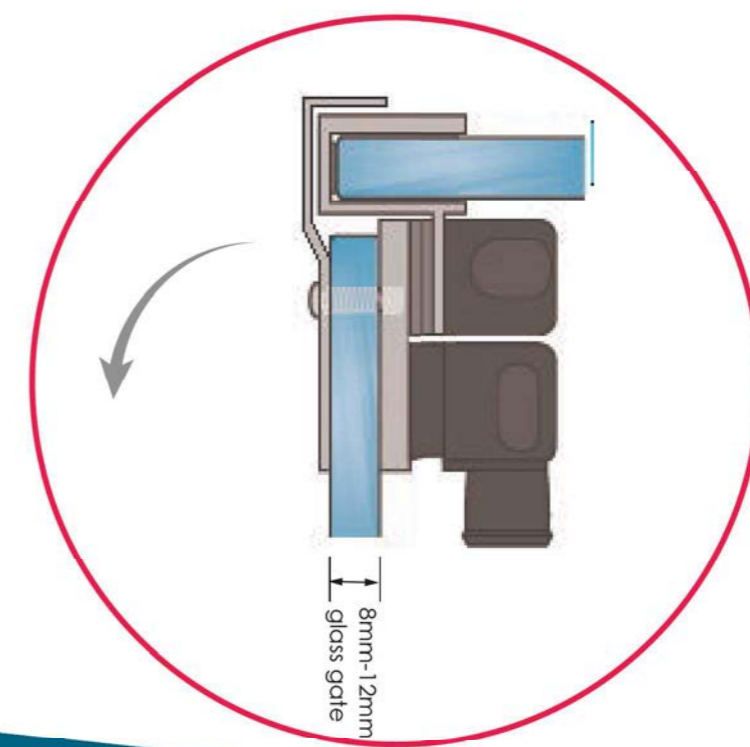
## External 90° Corner Latch



Detail



Detail



## Friction Latches

### Latch configurations to suit all pool fencing needs

**Available Latches:**

- Latches to fit glass-to-glass, wall-to-glass and 90 degree configurations
- Standard pull latches
- D&D lock fit available
- Polished, Satin and Black Satin finishes available



Friction Latch-180°

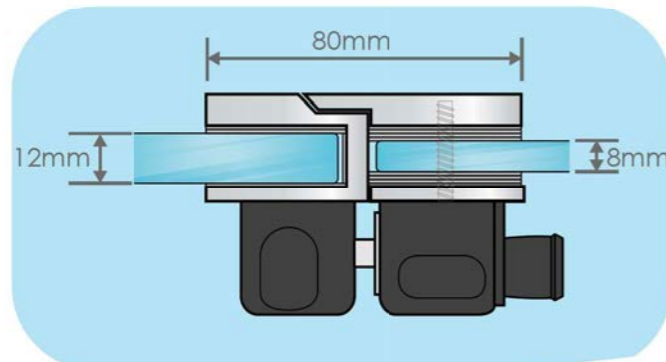
FL-GG-P/S/B

**Application:** Glass-to-Glass

**Finishes:** Polished, Satin, Black Satin

**Specifications:**

- 316 Stainless Steel
- Suits 12mm panels
- Suits 8-12mm gate panels
- Lock available



## Friction Latches



Friction Latch-90°

External Swing

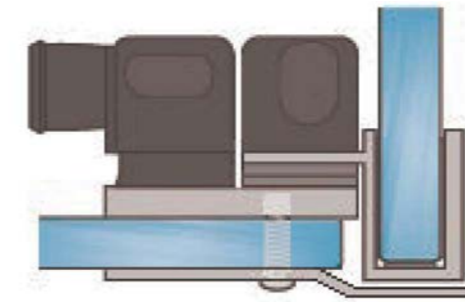
FL-GG-90DEG

**Application:** Glass-to-Glass

**Finishes:** Polished, Satin

**Specifications:**

- 316 Stainless Steel
- Suits 12mm panels
- Suits 8-12mm gate panels
- Lock available



Friction Latch-90°

Internal Swing

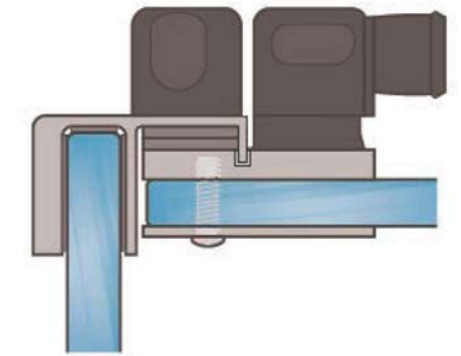
FL-GG-90DEG

**Application:** Glass-to-Glass

**Finishes:** Polished, Satin

**Specifications:**

- 316 Stainless Steel
- Suits 12mm panels
- Suits 8-12mm gate panels
- Lock available



## Friction Latches



Friction Latch  
Wall & Square Post  
FL-G-WALL



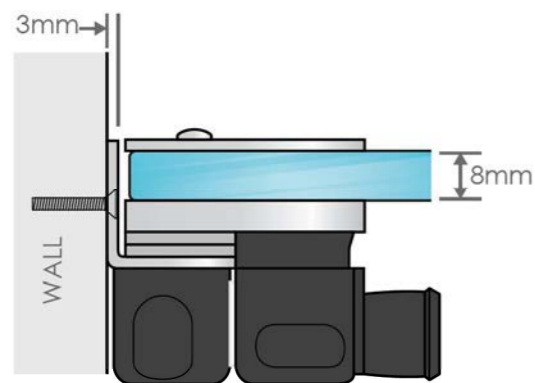
Friction Latch  
Round Post  
FL-G-RPOST

**Application:** Glass-to-Wall

**Finishes:** Polished, Satin

**Specifications:**

- 316 Stainless Steel
- Suits 8-12mm gate panels
- Wall & square post use
- Lock available

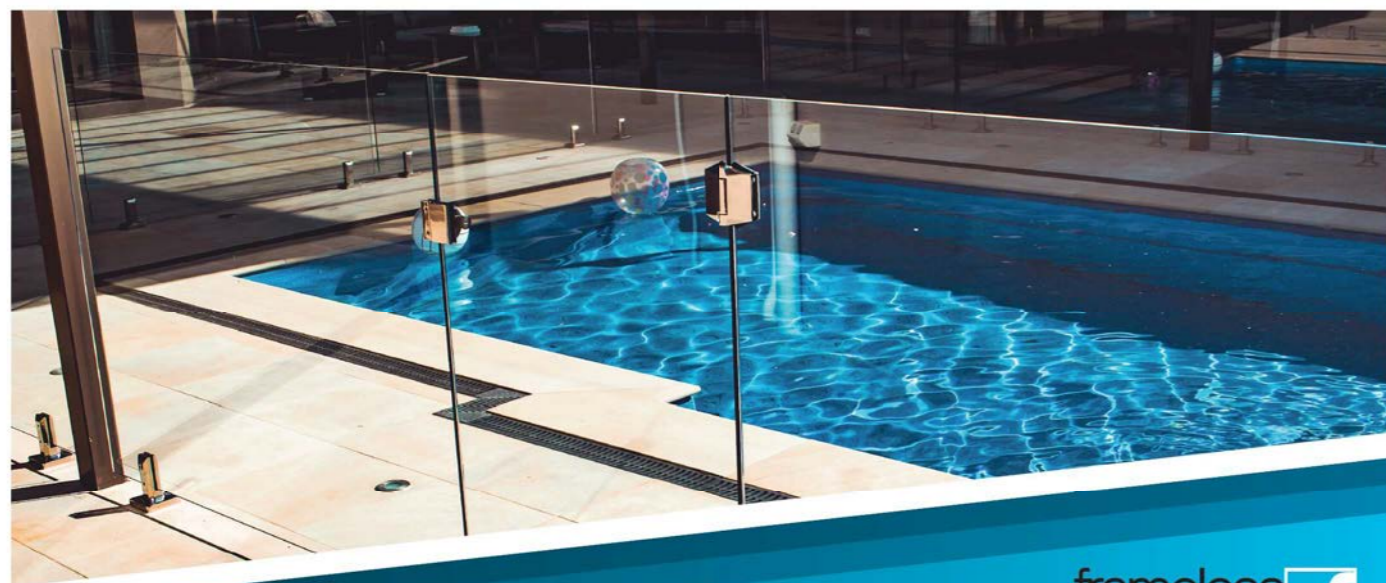
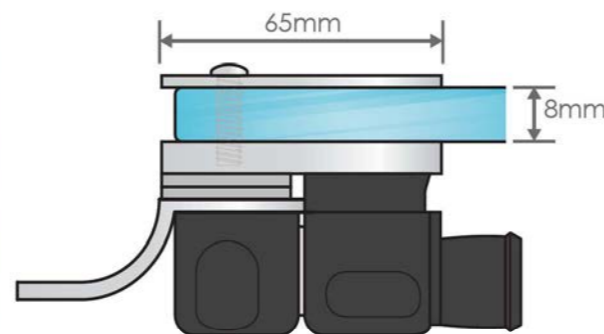


**Application:** Glass-to-Round Post

**Finishes:** Polished, Satin

**Specifications:**

- 316 Stainless Steel
- Suits 8-12mm gate panels
- Round post setup
- Lock available



## Metro Hinges

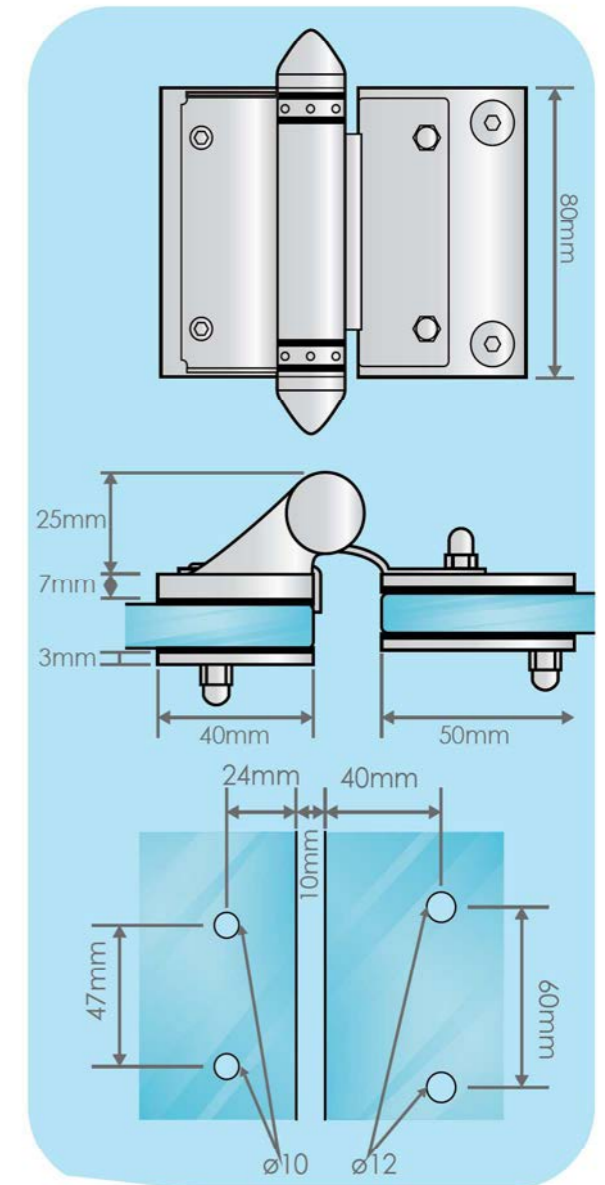
**Easy installation hinge pairs for a safe and contemporary solution**

**Metro Hinges:**

- 316 Stainless Steel products
- High quality spring hinges
- Glass-to-glass, wall-to-glass and post-to-glass configurations
- Polished, Satin and Black Satin finishes available

Metro Hinge Set

MTH-GG



**Application:** Glass-to-Glass

**Finishes:** Polished, Satin, Black Satin

**Specifications:**

- 316 Stainless Steel
- Suits 12mm Hinge panels
- Suits 8mm gate panels

# Metro Hinges

Metro Hinge Set Glass-to-Round Post

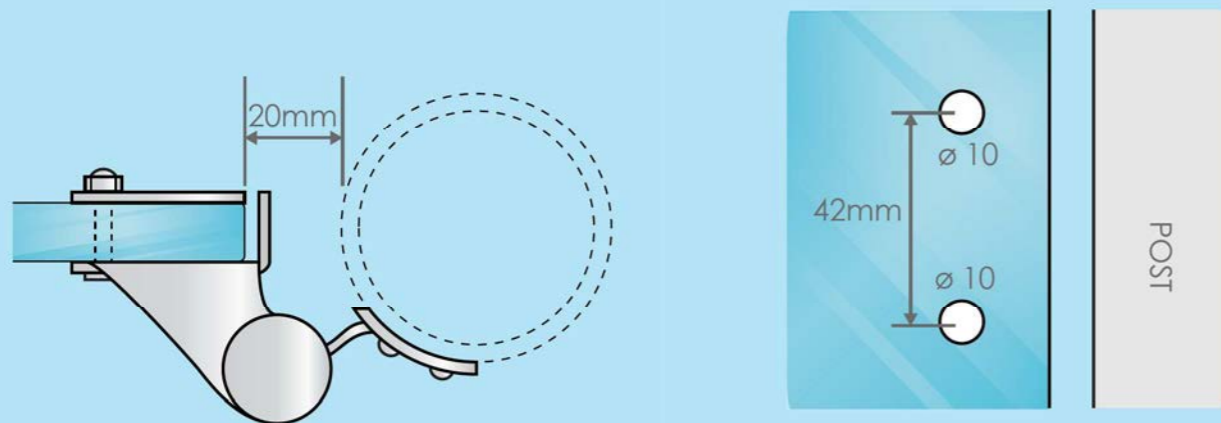
MTH-RPG



**Application:** Glass-to Round Post

**Finishes:** Polished, Satin

**Specifications:** -316 Stainless Steel  
-Suits 8mm gate panels  
-Spring Hinges



# Metro Hinges

Metro Hinge Set Glass-to-Wall

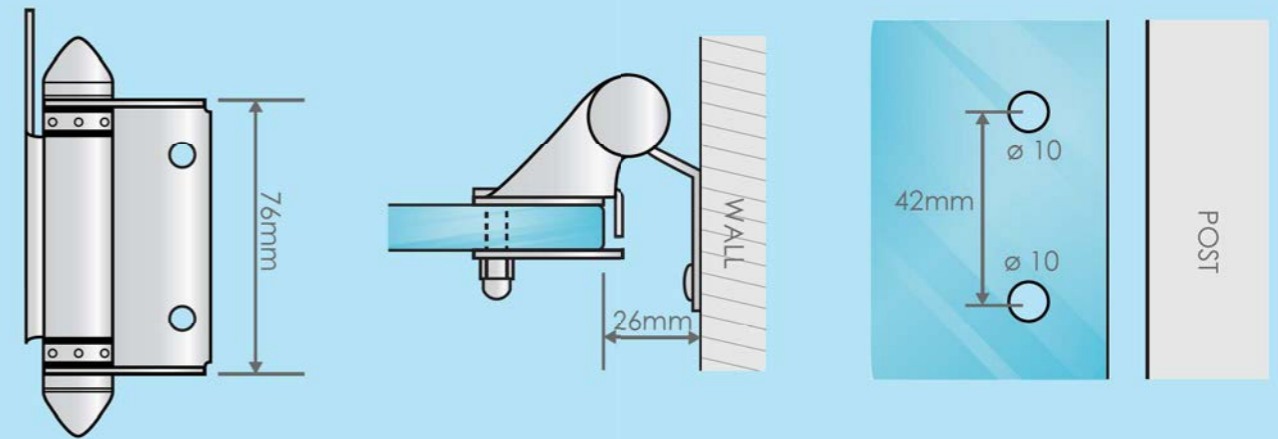
MTH-WG



**Application:** Glass-to-Wall/Square Post

**Finishes:** Polished, Satin, Black

**Specifications:** -316 Stainless Steel  
-90° Wall mount hinge set  
-Suits 8mm gate panels  
-Spring Hinges

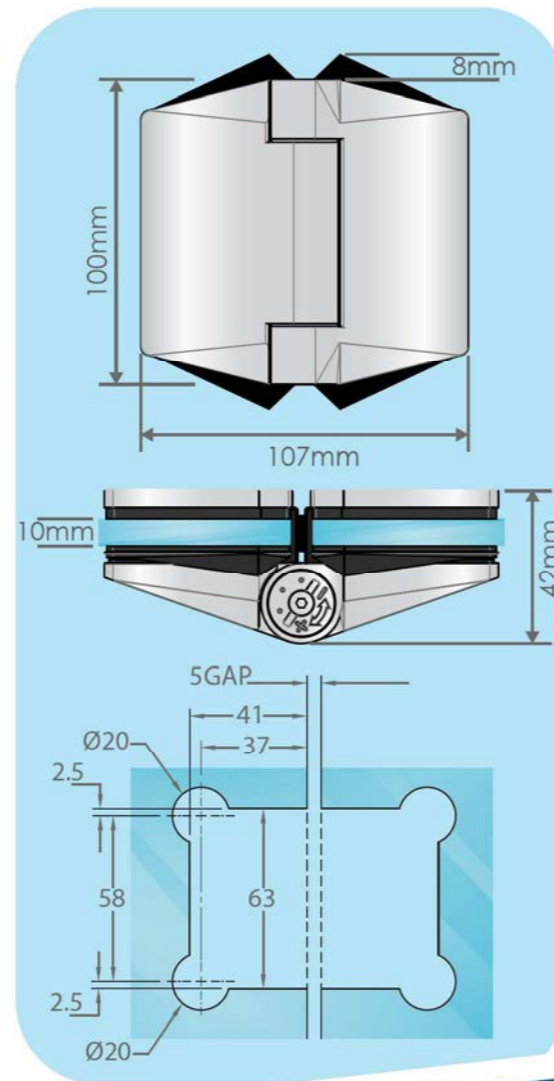


## Polaris Hinges

### New soft close hinges to suit our Polaris panel range

**Polaris Hinges:**

- 316 Stainless Steel products
- Soft-closing, Smooth-closing, quality controlled hinges
- Glass-to-glass, wall-to-glass and post-to-glass configurations
- Polished, Satin and Black Satin finishes available



**Application:** Glass-to-Glass

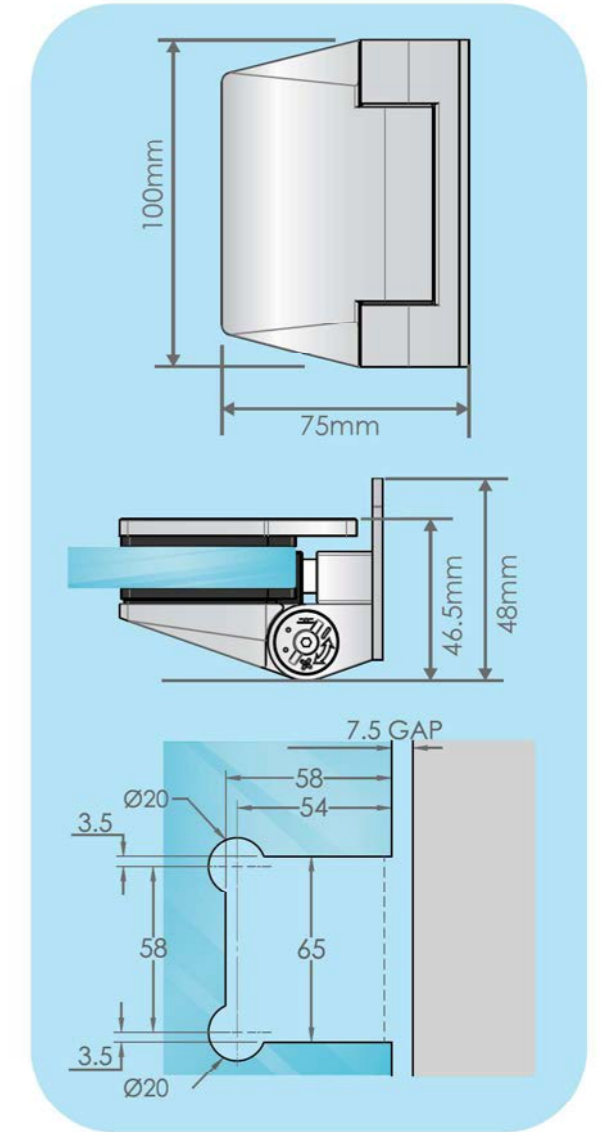
**Finishes:** Polished, Satin, Black Satin

- Specifications:**
- 316 Stainless Steel
  - Suits 12mm panels
  - Suits 12mm gate panels
  - Polaris panel use
  - Soft close technology

## Polaris Hinges



MH-WG



**Application:** Glass-to-Wall/Post

**Finishes:** Polished, Satin, Black Satin

- Specifications:**
- 316 Stainless Steel
  - Suits 12mm panels
  - Suits 12mm gate panels
  - Polaris panel use
  - Soft close technology



# Lazaris Hinges

**Lazaris soft close hinges are the ultimate answer to any pool fence configuration**

**Lazaris Hinges:**

- 316 Stainless Steel products
- Soft-close, Smooth-closing, quality controlled hinges
- Glass-to-glass, wall-to-glass and post-to-glass configurations
- Polished, Satin and Black Satin finishes available



LZGGP

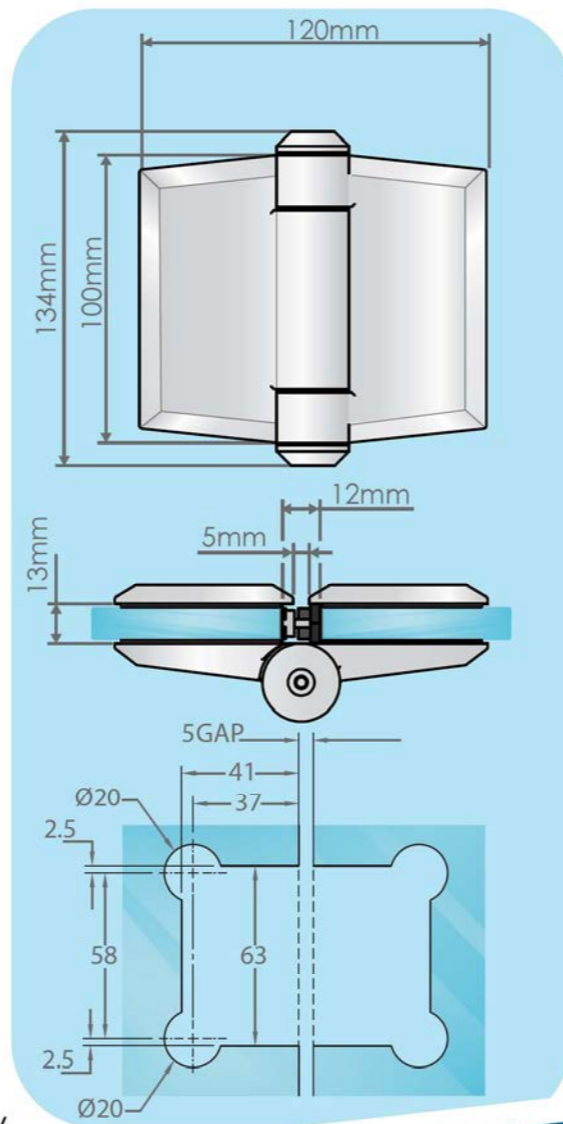


**Application:** Glass-to-Glass

**Finishes:** Polished, Satin, Black Satin

**Specifications:**

- 316 Stainless Steel
- Suits 12mm panels
- Suits 12mm gate panels
- Suits Lazaris panels
- Superior Soft-close technology



# Lazaris Hinges



LZGWP

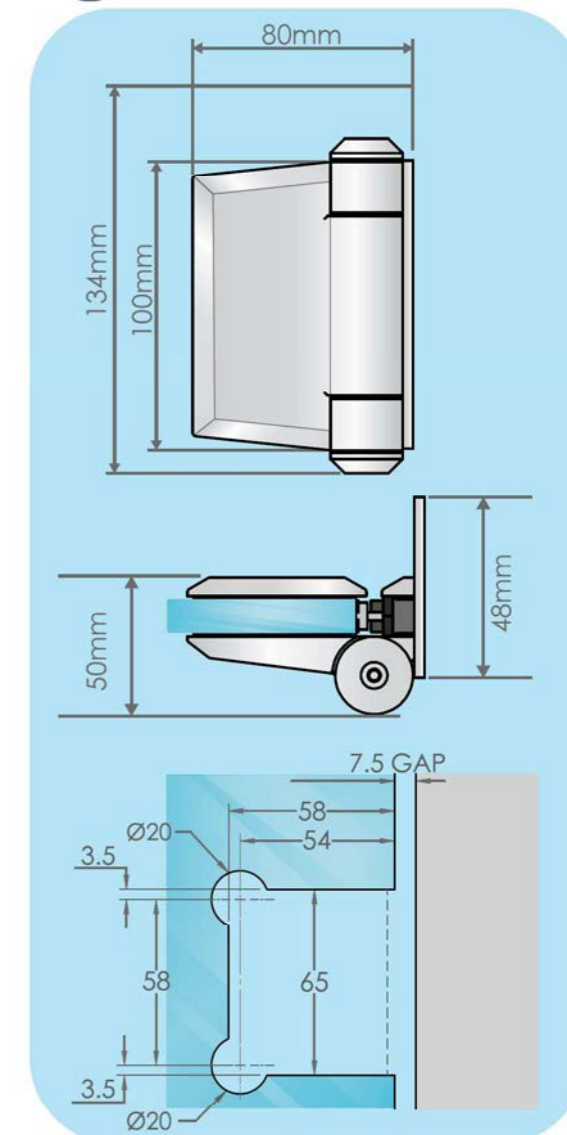


**Application:** Glass-to-Wall/Post

**Finishes:** Polished, Satin, Black Satin

**Specifications:**

- 316 Stainless Steel
- Suits 12mm panels
- Suits 12mm gate panels
- Suits Lazaris panels
- Superior Soft-close technology

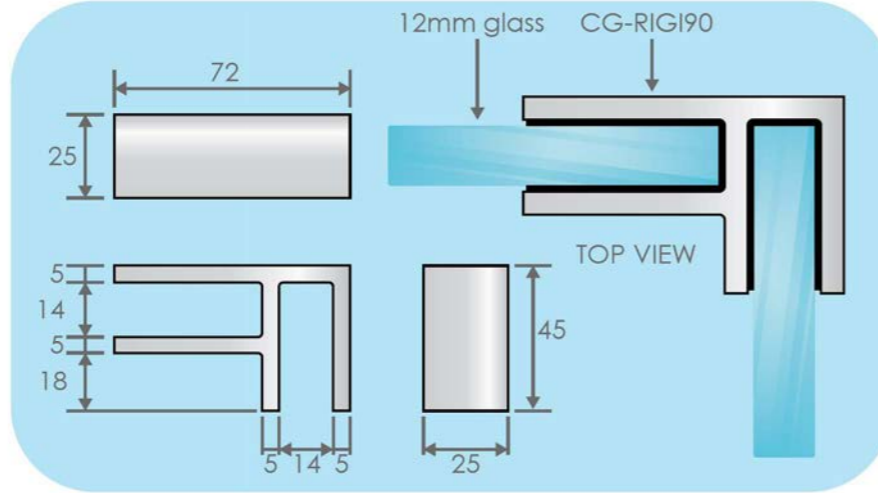




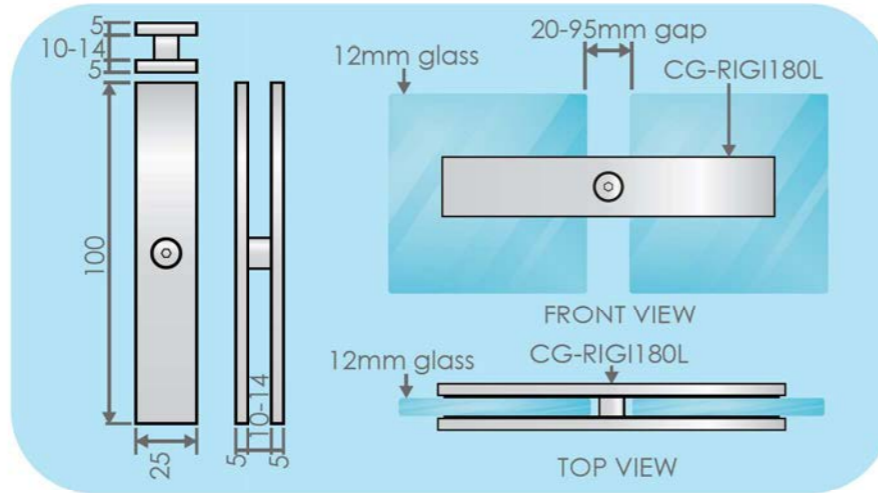
# Glass Clamps



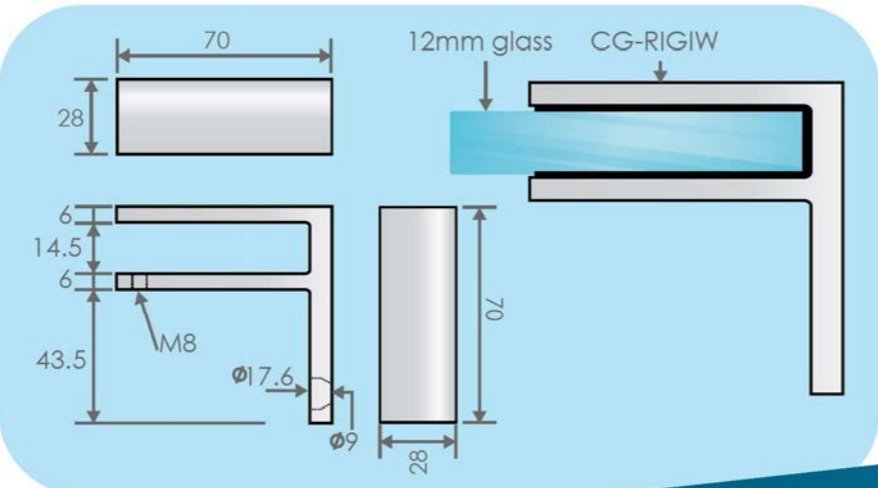
**GC-RIGI90**  
**Glass/Glass Corner RIGI Clamp**  
Polished, Satin or Black Finish  
**Details:**  
- Friction fit  
- Suitable for 12mm glass  
- 316 stainless steel



**GC-RIGI180**  
**Glass to Glass 180 Deg RIGI Clamp**  
Polished, Satin or Black Finish  
**Details:**  
- Friction fit  
- Suitable for 12mm glass  
- 316 stainless steel



**GC-RIGIW**  
**Glass/Wall RIGI Clamp**  
Polished, Satin or Black Finish  
**Details:**  
- Friction fit  
- Suitable for 12mm glass  
- 316 stainless steel



# Tools & Accessories



**XL-130**  
**Core Drill Machine**  
**Details:**  
- For drilling concrete  
- Concrete drill bit not included  
- 2 Speed



**XL-70400**  
**70mm Core Drill Bit**  
71mm x 360mm



**XL-80400**  
**80mm Core Drill Bit**  
83mm x 360mm



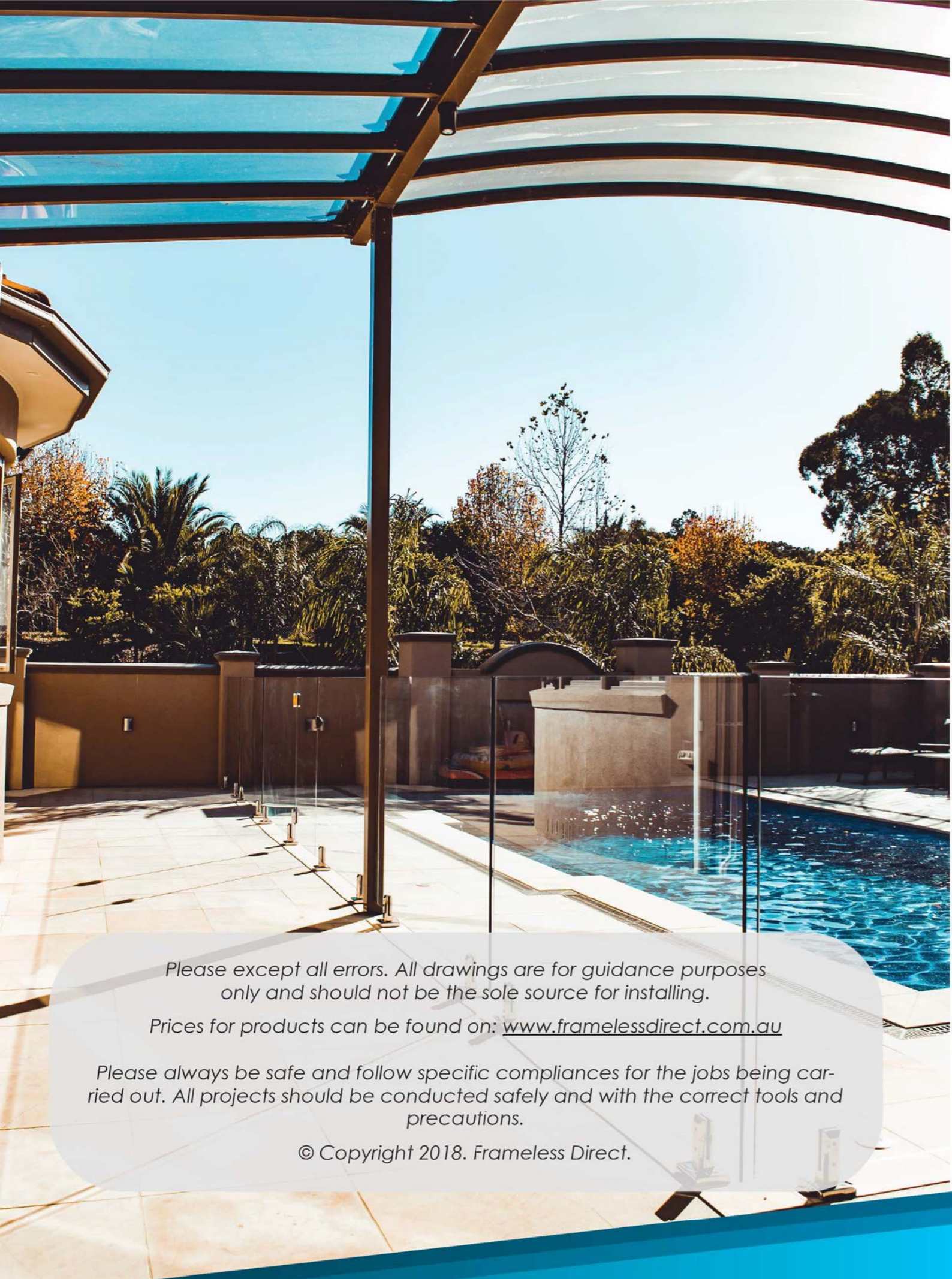
**XL-90400**  
**90mm Core Drill Bit**  
90mm x 360mm

- Stainless Steel Washer M12** **M12-W**
- 12mm Nut Stainless Steel** **M12 NUT**
- Stainless Steel Spring Washer M12** **M12-SW**
- Stainless Steel Washer M12** **THR12-125**

- M10 x 100 Dyna Bolt (Hex Head)** **DBHH10-100**
- Coach Screw M8 x 100mm Stainless Steel** **CS8-100**
- Coach Screw M10 100mm Countersunk S/S** **CSC10-100**

- Plastic Packer 1.5mm (Bag of 20-off)** **PP-1.5**
- Glass Suction Cup** **GSC-01**
- Clear Spacer Blocks 3mm (Bag of 10-off)** **SBC-03**

- Spacer Blocks Black 12mm x 14mm** **SSB-12**
- Techflow Grout Quick Dry** **TGRQ-20**



# Frameless Direct



## Opening Hours

Monday: 8am-4pm  
Tuesday: 8am-4pm  
Wednesday: 8am-4pm  
Thursday: 8am-4pm  
Friday: 8am-4pm  
Saturday: Closed  
Sunday: Closed

## Contact Us

21 Encore Avenue, Somerton, Victoria 3062

t: +61 3 9303 9008

f: +61 3 8339 2425

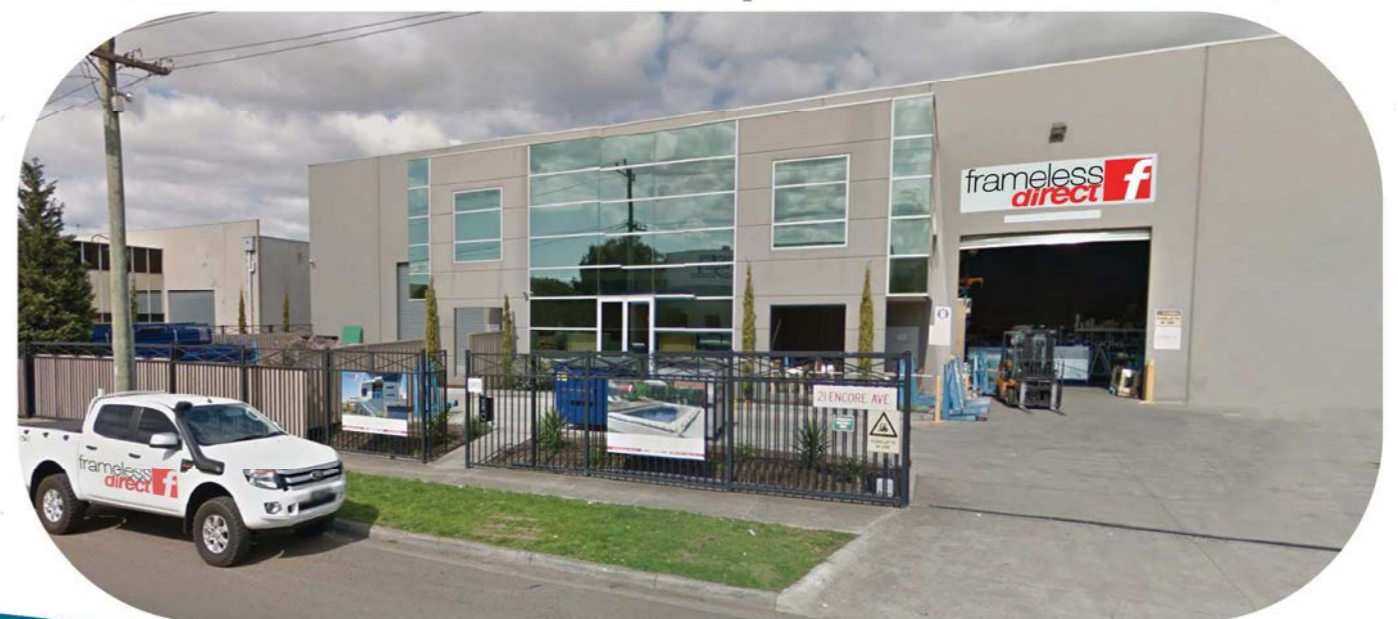


[sales@framelessdirect.com.au](mailto:sales@framelessdirect.com.au)



[www.framelessdirect.com.au](http://www.framelessdirect.com.au)

## Our Depot



Please except all errors. All drawings are for guidance purposes only and should not be the sole source for installing.

Prices for products can be found on: [www.framelessdirect.com.au](http://www.framelessdirect.com.au)

Please always be safe and follow specific compliances for the jobs being carried out. All projects should be conducted safely and with the correct tools and precautions.

© Copyright 2018. Frameless Direct.

# OUR PROMISES

## PRISTINE QUALITY ★★★★★

*All our products are quality controlled, well made and ensure your complete satisfaction.*

## LOCAL & TRADE SUPPLIERS

*Frameless Direct products are made easily available for both commercial and private use.*

## DIY SOLUTION

*Our website and team offer installation guides and a wealth of knowledge, allowing anyone to install our products with ease.*

## LOWEST PRICE ~~\$\$\$~~

*We believe in fair trade, and can guarantee our prices will keep you smiling.*

## DELIVERY AVAILABLE

*All you have to do is visit our website, or come see us in store and we promise to make your experience effortless.*

## VISIT US IN STORE OR ONLINE

[www.framelessdirect.com.au](http://www.framelessdirect.com.au)

21 Encore Avenue, Somerton,  
Victoria 3062



t: +61 3 9303 9008

f: +61 3 8339 2425